



**ELECTRIC BLANKET
INSTRUCTIONS**

**Fleecy
LCD Multizone**

MODEL NUMBERS

**900695 Queen
900696 King**

1	IMPORTANT SAFEGUARDS	3
2	Connecting the Controller/s	5
3	Securing Your Electric Blanket	6
4	Features	7
5	Using The Controller	8
5.1	Heat Settings – LCD screen	9
5.2	Foot and Body Zone Setting	9
5.3	Timer Settings – 12 Segments	11
6	Overheat Protection	11
7	Recommended Cleaning Instructions	12
7.1	Treatment For Localised Soiling	12
7.2	Hand Washing (Recommended)	12
7.3	Machine Washing	13
7.4	Drying	13
8	Servicing Your Blanket and Controller/s	14
9	Electrical Schematic Diagram	14
10	Troubleshooting	14
10.1	Troubleshooting Table	15
11	Warranty	16

Thank you for purchasing our Electric Blanket. Each unit is manufactured to ensure safety and reliability. Before using for the first time, please read the instruction manual carefully and keep it for future reference.

1 IMPORTANT SAFEGUARDS

- Before connecting and switching on the blanket, ensure that the voltage indicated on the rating label corresponds to the mains voltage in your home.
- Read the instructions carefully, in conjunction with the illustrations, before fitting the blanket and using for the first time.
- If the cord of this blanket is damaged, unplug and discontinue use of the product immediately then contact the manufacturer.
- Check daily that your blanket is flat, fully spread out and secured before switching it on.

Failure to observe these instructions will result in overheating. This will activate the overheat safeguard system, thus leaving the blanket inoperative.

Misuse of this blanket will invalidate your warranty.

- Use as an under-blanket only.
- These blankets are not recommended for futons.
- When storing the blanket, allow it to cool down before folding. Fold or roll neatly but not tightly without sharp bends in the heating elements and store where no other heavy objects will be placed upon it.
- The blanket should not be used on an adjustable bed. However, if the blanket is used on an adjustable bed, check that the blanket and cord do not become trapped or rucked, for example, in hinges.
- The blanket is not to be used by young children unless the controls have been pre-set by a parent or guardian, or unless the child has been adequately instructed on how to operate the controls safely.
- This appliance is not intended for use by persons (including children) with reduced physical, sensory or mental capabilities, or lack of experience and knowledge, unless they have been given supervision or instruction concerning use of the appliance by a person responsible for their safety.
- Make sure that the heating area (on any side of the bed) does not fall over the edge of the mattress, that the attachments are adequate and suited to the mattress, and that the instructions are read before using the blanket.
- This blanket is not intended for use by young children or infirm persons without adequate supervision.
- Electric blankets are intended for human use only. Not for animals and pets
- Prolonged application at the highest heat setting can result in skin burns.

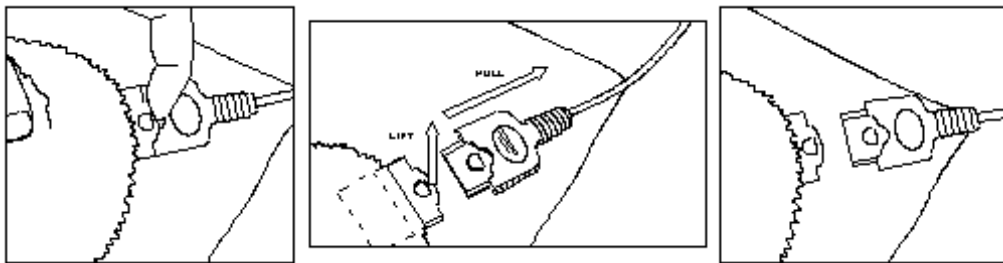
- Do not tuck the edges of the blanket in.
- Do not use the blanket rucked or folded.
- Keep the control away from an open window.
- Do not use pins as these may damage the electric wiring.
- Be sure that this blanket is used only on an alternating current supply circuit of the correct voltage.
- The flexible supply cord and switch must, as far as practicable, be kept outside of the bed covers.
Do Not Cover the Controller.
- Do not switch the power on if the blanket is wet or in a folded state.
- Switch off the power outlet and remove the plug from the mains when the blanket is not in use.
- Bed clothes should not be folded back when the blanket is switched on. Do not leave heavy objects on the bed, e.g. folded blankets, suitcases etc. when the unit is switched on.
- Arrange the blanket so that the elements are not under the pillows and/or bolsters.
- Do not dry-clean this blanket. Cleaning liquid may have a damaging effect on the insulation covering of the heating unit. Follow washing directions located on the blankets rating label. (Foot end of the blanket) and in this Instruction Manual.
- Persons suffering from bed-wetting should not use this blanket.
- If any abnormality or defect in operation is observed, discontinue its use immediately and consult the distributor regarding its examination and/or repair.
- The blanket should be examined frequently for signs of wear, either of the blanket, controller or flexible cord. If wear is visible or if any abnormality or defect in operation in the blanket is observed, discontinue use immediately and consult a qualified and registered person for service.
- The blanket must not be used over or under a water bed.
- Depending on the controller type, you may notice a blue flash in the switch when moving from one setting to another. This is NOT dangerous and is caused by the copper parts making contact.
- It is recommended that your electric blanket is inspected by a qualified and registered person after 3 years of use.
- This blanket is intended for domestic use only. It is **not** intended for use in hospitals or the like.
- Switch off from the power outlet and remove plug when the blanket is not in use.
- Only use the controller/s supplied with this blanket.

2 Connecting the Controller/s

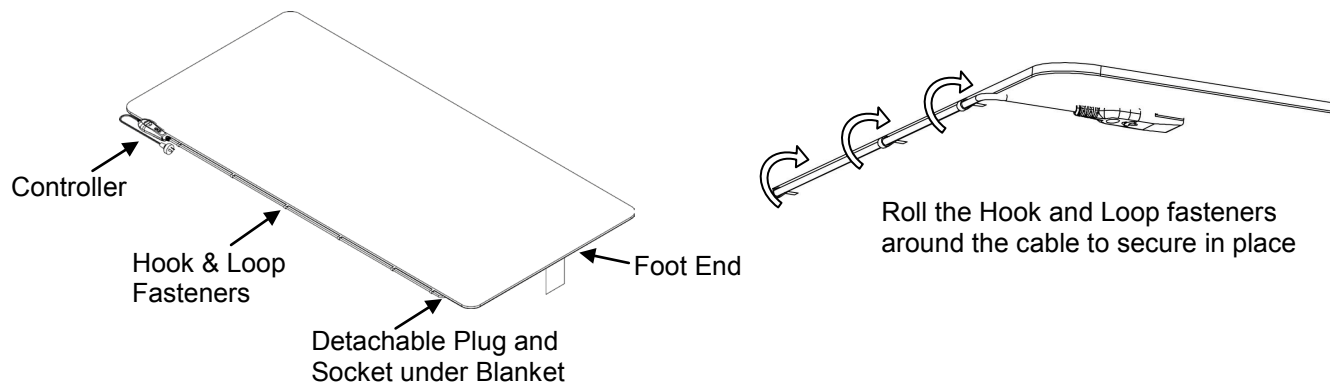
Turn Off Power and Remove the Plug from the Wall Socket

The controller socket/s are located on the underneath of the blanket

- To fit the controller plug, simply hold the socket with one hand and push the controller plug all the way until the locking tab locates over the lug on top of the controller plug.
- To remove the controller, lift the locking tab up with your finger and pull the controller plug directly out. Do Not Pull the controller cable and Do Not try and pull the controller plug out without lifting the locking tab as you will damage the socket.



- Run the controller cable along the inner side of the blanket and hold in place with the Hook and Loop fasteners.



- Feed the power plug and controller out through the slit in the side skirt at the head end.
- Do Not fold, roll or kink the cable. Allow the cable to hang freely.
- Ensure the cable is not pulled so tight that it bends hard at the blanket connector end.

NOTE: Ensure that the electric blanket is sized to suit your mattress i.e. queen sized electric blanket must be used on a queen sized mattress. Do not use a single bed blanket on a double, queen or king size mattress. The blanket top must not hang over the edges of the mattress.

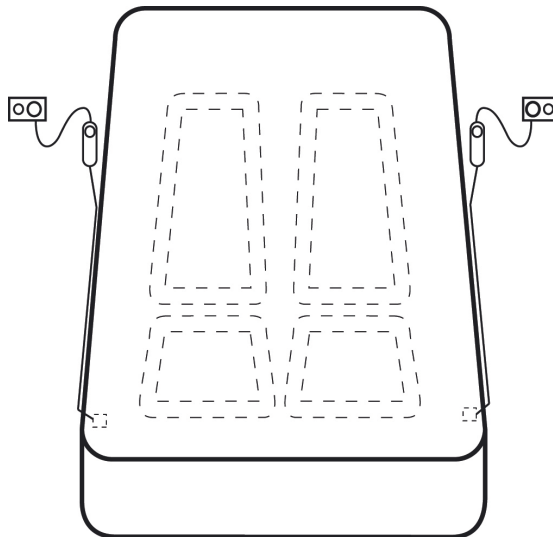
3 Securing Your Electric Blanket

Note: Your electric blanket must be placed directly onto the mattress.

If using a mattress protector, this goes over the electric blanket.

IMPORTANT:

- With the controller/s exiting out the side of the skirt, place the blanket onto the mattress with the controller connection/s at the **Foot End** of the bed.



NOTE: Electric blankets **MUST NOT be used** on top of the user (as with a normal blanket), instead they must be firmly secured to the mattress.

- Fit the side skirts around the edges of the mattress then use the elastic skirt to ensure that the blankets fits snugly around the sides and underneath the mattress.
- Spread the skirt around the mattress edge ensuring even tension and making sure the blanket is placed evenly over the mattress then ensure that the blanket is flat and crease free.

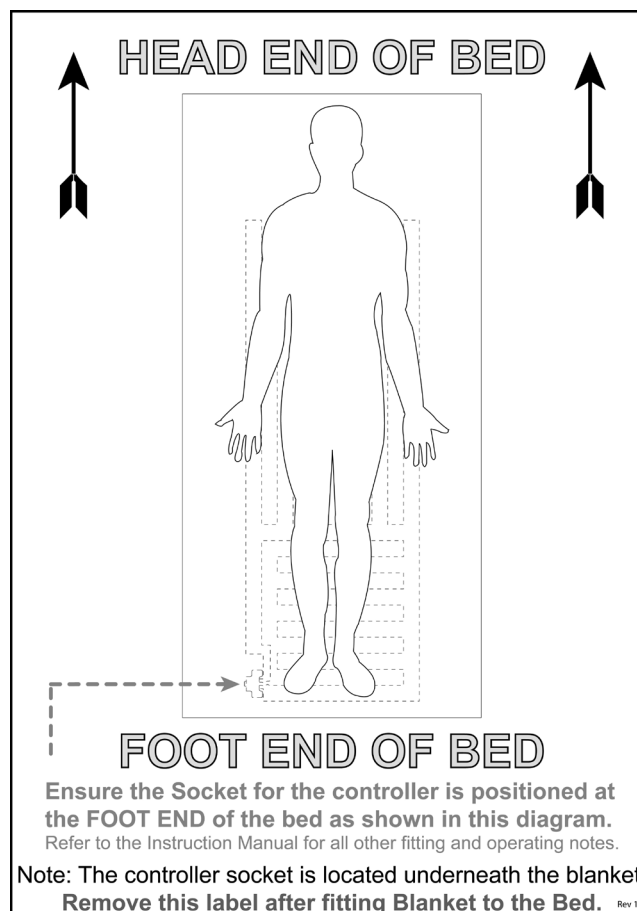
FAILURE TO FOLLOW THESE FITTING INSTRUCTIONS MAY TRIGGER THE OVERHEAT PROTECTION SYSTEM AND RENDER THE BLANKET PERMANENTLY INOPERATIVE. THIS MAY INVALIDATE THE WARRANTY.

Note: Care should also be taken if you are using a continental quilt because heat will build up more quickly than with other bed coverings. A short period may only be needed to reach maximum temperature depending on the insulation density of your quilt. This also applies if using additional bed blankets

- The blanket top should not be tucked in at the sides.
- Make your bed in the usual manner.
- When you are satisfied that the blanket is fitted correctly, plug the controller/s into the wall power socket and turn on.

NOTE: This label is attached to the blanket to remind you of the correct direction in which the blanket must be fitted to the mattress.

Please remove and discard the label prior to making your bed.



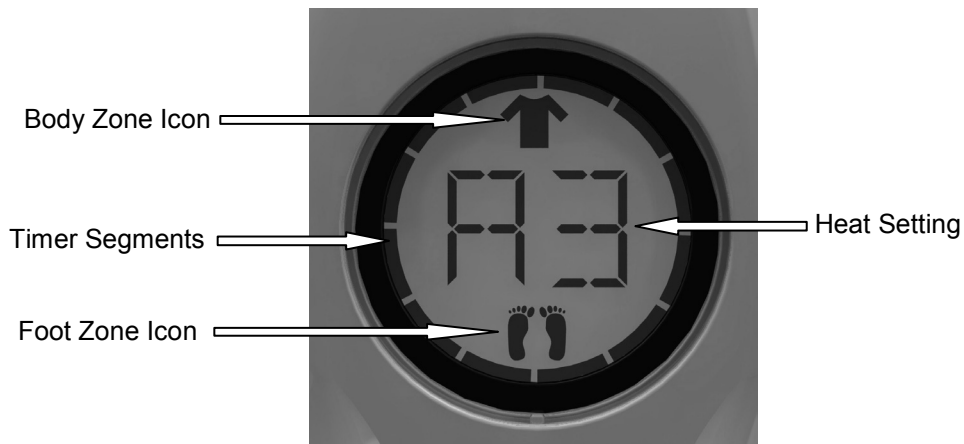
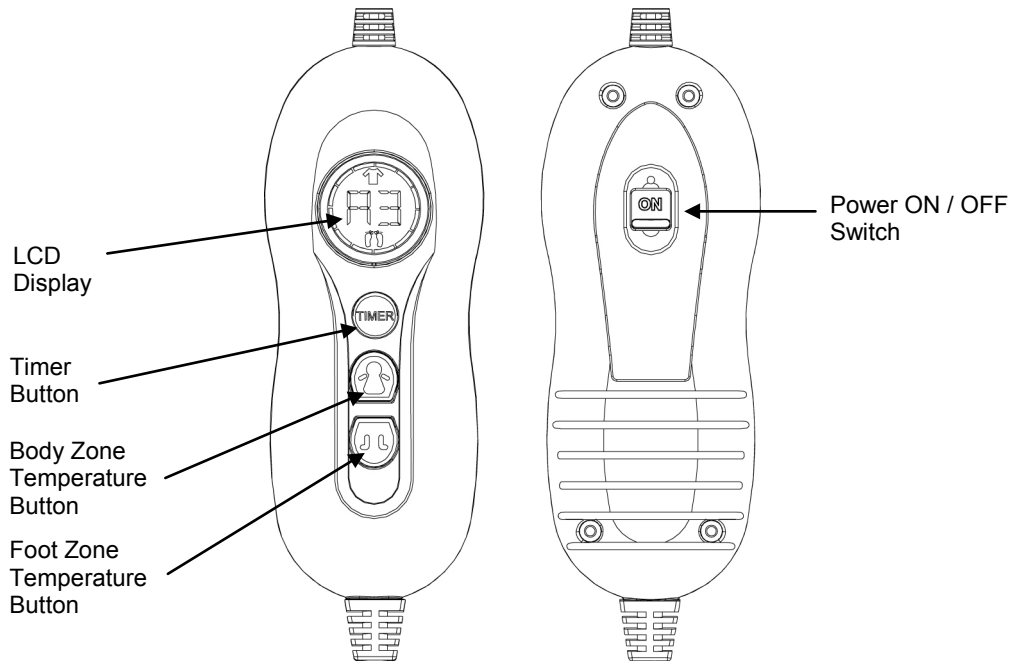
4 Features

- This electric blanket is manufactured with two separate heating zones, being the Upper Body Zone and the Lower Foot Zone.
- You can independently heat either just your body, just your feet, or both together.
- You are also able to set different temperatures between the Body and Foot Zone.

5 Using The Controller

- Use your Electric Blanket with Detachable Controller Model GW281 Only.
- Do not use any other controller for this blanket.
- The push buttons will be illuminated when pressed and the backlight will time out after approximately 5 to 10 seconds.

NOTE: Ensure the On / Off Switch, located on the back of the controller, is in the ON position.



Turn off and unplug the blanket when not in use for prolonged periods.

5.1 Heat Settings – LCD screen

oF Will appear on the LCD display when connected to available power supply or when the controller has reached its preset time off.

A1 to A5 are suitable for all night use, A1 being the lowest through to A5 the highest recommended all night setting. Press the Temperature Select button to change setting.

P6 to P8 are preheating heat settings and are suitable to warm the mattress prior to going to bed. Press the Temperature Select button to change setting.

DO NOT leave the blanket set and on the preheat settings while you are in the bed.

Turn off and unplug the blanket when not in use for prolonged periods.

The controller also has a pre-heat facility in order for you to warm your bed prior to getting in to it.

The time taken to pre-heat the bed will depend on the ambient temperature of the bedroom and whether an electric blanket has been used to air the bed on a regular basis.

At normal ambient temperature you should allow approximately 20 - 40 minutes on the levels “P6 to P8” setting indicated on the LCD screen.

A cold room or bed that has not been used for some time will require a greater length of time on the pre-heat.

5.2 Foot and Body Zone Setting

- This electric blanket is manufactured with two separate heating zones, being the Upper “Body Zone” and the Lower “Foot Zone”.

You can independently heat either just your body, just your feet, or both together.

You are also able to set different temperatures between the Body and Foot Zone.

- To set the body and foot zones, ensure the blanket is fitted to the bed with the controller socket/s located at the foot end of the bed and the controller run up the side of the bed and exiting out the skirt at the head end.

- Ensure the main switch, located on the back of the controller, is in the On position.
- When you first supply power to the controller, the controller display will show “oF” meaning “Off”.

BODY

- To set the required temperature for the Body Zone, press the Body Zone button. The display will Blink showing the Body icon on the LCD display.
- Press the Body Zone button again (within 3 seconds) and the display will show the Body icon (meaning the display is shown for the Body Zone), Heat setting A1(for the Body Zone) and the timer segments will default to 12 Hours (until auto Off - for both Body and Foot Zone)

Note: The Body Zone button must be pressed the second time within 3 seconds otherwise it will revert back to the “oF” setting.

- Press the Body Zone button again and A2 will display, and so on through A1 – A5 (all night settings) then P6 – P8 (preheat settings) then to oF (Off)

After setting the Body Zone, you can now set the Foot Zone.

FOOT

- To set the required temperature for the Foot Zone, press the Foot Zone button. The display will Blink showing the Foot icon on the LCD display.
- Press the Foot Zone button again (within 3 seconds) and the display will show the Foot icon (meaning the display is shown for the Foot Zone), Heat setting A1 (for the Foot Zone) and the timer segments will default to 12 Hours (until auto Off - for both Body and Foot Zone)

Note: The Foot Zone button must be pressed the second time within 3 seconds otherwise it will revert back to the “oF” setting.

- Press the Foot Zone button again and A2 will display, and so on through A1 – A5 (all night settings) then P6 – P8 (preheat settings) then to oF (Off)

NOTE:

If you do not wish to heat your body, but wish to heat your foot area only, ensure the Body Zone is set to “oF”

If you do not wish to heat your feet, but wish to heat your body area only, ensure the Foot Zone is set to “oF”

5.3 Timer Settings – 12 Segments

- Your electronic controller has a factory “Off Time” default setting of approximately 12 hours.
- When you first set the heat setting, the 12th segment around the LCD display will blink showing that there is approximately 12 hours until the controller automatically turns off.
- After selecting your Body and Foot Zone heat settings, press the Timer button, and the Auto Off timer will change from 12 hour to 1 hour and only 1 segment will show and blink slowly meaning 1 hour to “Off”.
- Press the Timer button again and 2 segments will show meaning 2 hours to “Off”, and so on up to 12 hours. Continuously press the Timer button to cycle back around to 12 Hours.
- When the selected Off Time has been reached, the controller and blanket will revert to the off state, shown on the LCD display as “oF”. This means there is still power available to the controller but not heating.

Note: Both the Body Zone and Foot Zone will turn off at the same time.

Note: For safety reasons, the switch will automatically turn down from the any of the Preheat settings (P6 – P8) to the highest All Night setting (A5) after approximately 3 hours.

6 Overheat Protection

- The blanket is fitted with an overheat safeguard system.
- This offers protection against overheating or damage to the elements by disengaging the power to the elements before an overheating hazards occur.
- Should there ever be a problem with the heating element in the blanket, it will automatically close down the operation and the blanket will turn off.
- **The switch must not be covered.** The switch has built in protection, so that if the switch overheats, it will automatically close down the operation.
- Should this occur, the blanket will turn off.

Please refer to the Troubleshooting Guide in the back of this manual before calling the service department or before returning the blanket.

7 Recommended Cleaning Instructions

Ensure all controllers are unplugged from the power point and from the electric blanket before cleaning

Never Use Hot Water as the blanket may shrink and will void your warranty.

7.1 Treatment For Localised Soiling

- The area affected should be sponged gently using a natural wool detergent or mild soap flakes dissolved in lukewarm water (30°C Max), followed by two consecutive spongings using clean, soap-free lukewarm water.
- Lightly compress the treated area between two towels to absorb excess water and then spread the blanket out flat to dry in a shady area. Do Not Wring the blanket.
- The connections to the blanket must be kept free of moisture.

7.2 Hand Washing (Recommended)






- Place the Blanket in lukewarm (30°C Max) water (bathtub or large laundry tub is ideal) mixed with either a natural wool detergent or with mild soap flakes.
- Soak your blanket for approximately five minutes, and then gently squeeze the soapy water through the blanket.
- Rinse your blanket thoroughly with clean lukewarm water until no more suds are visible and allow water to drain off the blanket.

Do Not Wring the blanket.

7.3 Machine Washing

- Place your Blanket in the washing machine with either a natural wool detergent or with mild soap flakes.
- Set your machine to the Delicate Wool or Gentle cycle (without Spin Dry) and set the water temperature to warm (30°C Max). **Do Not Wash With HOT Water.**
- When the cycle has finished, allow water to drain off the blanket

Do Not Wring the blanket. Do Not Spin Dry

WARNING:	
DO read all instructions before use.	 Do Not Bleach or use detergents with Bleach
DO use only as an under blanket.	 Do Not Iron
DO secure blanket to bed before use.	 Do Not Dry Clean
DO only clean blanket as specified in the instruction book.	 Do Not Tumble Dry
DO have this electric blanket repaired and/or tested by an authorised agent.	 Hang on line only when excess water has been removed. Do Not Wring
DO remove controller before washing blanket.	 Machine Wash or Hand Wash Only.
<hr/>	
DO NOT use tucked in, folded or rucked.	
DO NOT use if wet.	
DO NOT insert needles or pins into blanket.	
DO NOT use with element or wired parts tucked in.	
DO NOT use with helpless persons, infants or persons insensitive to heat.	
DO NOT wash controller.	

7.4 Drying

- Spread the blanket out on a clean surface (e.g. a large table) to dry in a shady area.
- Your blanket can also be dried on a clothes line provided the blanket is not creased or folded and as long as pegs are not used on the element areas of the blanket.

Note: The blanket must be thoroughly dried (including controller sockets) before being re-fitted to your bed.

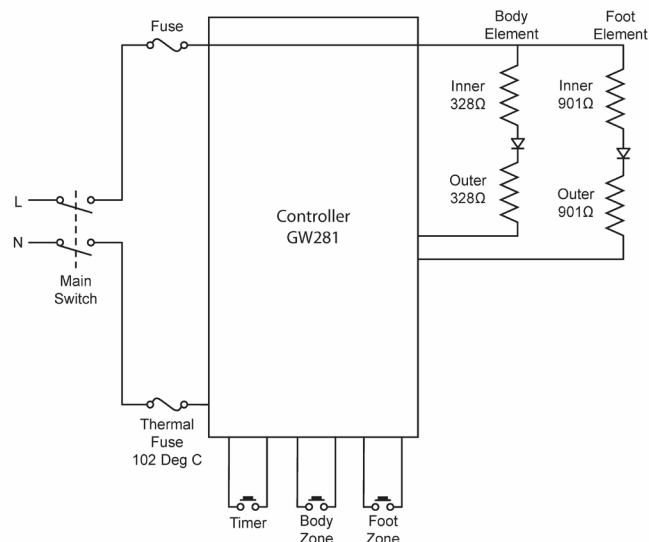
With normal use it is recommended that you hand wash your blanket once a year.

8 Servicing Your Blanket and Controller/s

NOTE: There are no user serviceable parts in this blanket.

- The blanket should be examined frequently for signs of wear, either of the blanket, controller or flexible cord. If wear is visible or if any abnormality or defect in operation in the blanket is observed, discontinue use immediately and consult a qualified and registered person for service.
- It is recommended that your electric blanket is inspected by a qualified and registered person after 3 years of use.
- If the blanket is not operating correctly, please check the Troubleshooting Guide in the back of this manual before contacting our service department.

9 Electrical Schematic Diagram



10 Troubleshooting

If none of the remedies in the following table fix the problem, you can remove the controller from the other side of the bed (excluding all single size blankets) and test it to determine if it is the original controller or the blanket which is at fault.

If you deem the controller to be faulty, Please call the service department for a replacement controller.

- If the new controller fails to resolve the problem and you need to return the blanket to the retailer, we please ask that:
 - The unit is packed carefully back into its original packaging.
 - Original proof of purchase is attached.
 - A brief note attached to the blanket explaining the reason why it is being returned.

10.1 Troubleshooting Table

Problem	Cause	Remedy
No Power to Controller - No Display	The Main Switch of the controller may be in the Off Position	Slide the switch (located on the back of the controller) to the ON Position.
	The Power Plug may not be plugged in to the power point and switched on.	Ensure the power plug is inserted into the powerpoint correctly and switch on.
	There may be no power to the power point	Ensure there is power to the power point. Test with another appliance such as a table lamp.
	The controller has overheated and blown the Over-Temp thermal fuse	If all the above are okay, the over temperature safety device has activated.
Display is on but not heating	Detachable Plug from Controller to Blanket is not fitted or has come loose.	Ensure the detachable plug is fitted correctly into the socket on the blanket and the locking tab has clipped over the lug on the plug.
	The selected heat setting is too low.	Increase the Heat setting
	Pre-heat time is too short.	Allow the blanket more time to heat the bed. More time is required depending on the ambient temperature and the bed temperature.
	No heat setting selected	Select a heat setting
Body Zone Heats but not Foot Zone	Only the Body Zone heat setting has been set	Select the Foot Zone and select the required Heat Setting
Foot Zone Heats but not Body Zone	Only the Foot Zone heat setting has been set	Select the Body Zone and select the required Heat Setting
Display is on but cannot change any of the settings	Program may have locked up to protect itself due to a power surge.	Unplug the controller from the powerpoint, wait 2 minutes and then plug in and switch on again.
Display Blinks / Flashes Continuously	The controller has overheated	<p>Turn Power Off to the controller at the power point.</p> <p>Ensure the controller has not been covered with the bed sheet, blankets, etc.</p> <p>Ensure there are no external heat sources heating up the controller (i.e. Electric heater, central heating unit blowing hot air onto the controller, etc.</p> <p>Allow the controller to cool down (up to approximately 1 hour or until the Blinking / Flashing Stops) and will default back to the "oF" setting.</p> <p>Reposition the controller ensuring it hangs freely, is not covered or is not in line with any external heat source, then plug in and switch on at the powerpoint.</p> <p>Reset your desired heat setting and Auto Time off.</p>
Controller is continuously turning off and displaying "oF"	The controller has overheated	Please follow the same steps as under "Display Blinks / Flashes Continuously"
	The Auto Off timer has activated and turned off the blanket.	No Remedy, Functions Correctly
	Timer seems to turn the controller off too soon.	Increase the Auto Off Time
When setting heat settings, display keeps changing back to oF'	Not pressing the Heat Setting Buttons within 3 seconds	The heat setting buttons need to be pressed twice and within 3 seconds of each other. The first press selects the Zone, the second press selects the heat setting.
Display changes to "A5" when P6, P7 or P8 has been selected.	After approximately 3 hours, the controller will automatically turn down from any of the Pre Heat settings to the highest All Night Setting "A5".	Is built in for personal Safety.
Controller is Warm to Touch	This is normal	No Remedy. Is Normal. Is no cause for alarm.

11 Warranty

Imported exclusively for Target Australia by H. E. Group Pty Ltd.

WHAT'S COVERED

H. E. Group Pty Ltd warrants the Electric Blanket for full replacement for a period of 12 Months from the date of purchase, which is only valid with the presentation of the original proof of purchase receipt. This warranty covers materials and workmanship defects only.

WHAT IS NOT COVERED

This warranty does not apply to defects arising from abuse, alteration or unreasonable use of the product. In addition, it does not cover general deterioration due to usage.

This warranty is in addition to all other rights and remedies available under the Trade Practices Act 1974 and other relevant State and Territory laws and shall not be taken as applying to exclude, restrict or modify such rights of remedies in any other manner whatsoever.

WHAT H. E. GROUP PTY WILL DO

H. E. Group Pty Ltd will replace the product, if a defect is discovered whilst under the warranty period, subject to verification of defect or malfunction, date and proof of purchase.

If you find you need to return the product under guarantee, please return it to the original place of purchase and ensure you have the original proof of purchase receipt, the original packaging and attach a brief description of why the product is being returned.

CUSTOMER CARE

All enquiries may be directed to our toll free customer service number:

1800 079 124 or via email **info@hegroup.com.au**