



**ELECTRIC BLANKET
INSTRUCTIONS**

**CLIP ON FLEECY
12 Hour Auto Off**

Model Numbers

900692 Single

900693 Queen

1	IMPORTANT SAFEGUARDS.....	3
2	Connecting the Controller.....	5
3	Securing Your Electric Blanket.....	5
4	Using The Controller	7
4.1	Pre Heat	8
5	Overheat Protection	8
6	Recommended Cleaning Instructions	9
6.1	Removal and Fitment of the Top Blanket.....	9
6.2	Treatment For Localised Soiling	9
6.3	Hand Washing (Recommended)	10
6.4	Machine Washing.....	10
6.5	Drying	11
7	Servicing Your Blanket and Controller/s	11
8	Electrical Schematic Diagram.....	11
9	Troubleshooting	12
9.1	Troubleshooting Table	12
10	Warranty	13

Thank you for purchasing our Electric Blanket. Each unit is manufactured to ensure safety and reliability. Before using for the first time, please read the instruction manual carefully and keep it for future reference.

1 IMPORTANT SAFEGUARDS

- Before connecting and switching on the blanket, ensure that the voltage indicated on the rating label corresponds to the mains voltage in your home.
- Read the instructions carefully, in conjunction with the illustrations, before fitting the blanket and using for the first time.
- If the cord of this blanket is damaged, unplug and discontinue use of the product immediately then contact the manufacturer.
- Check daily that your blanket is flat, fully spread out and secured before switching it on.

Failure to observe these instructions will result in overheating. This will activate the overheat safeguard system, thus leaving the blanket inoperative.

Misuse of this blanket will invalidate your warranty.

- Use as an under-blanket only.
- This blanket is not recommended for futons.
- When storing the blanket, allow it to cool down before folding. Fold or roll neatly but not tightly without sharp bends in the heating elements and store where no other heavy objects will be placed upon it.
- The blanket should not be used on an adjustable bed. However, if the blanket is used on an adjustable bed, check that the blanket and cord do not become trapped or rucked, for example, in hinges.
- The blanket is not to be used by young children unless the controls have been pre-set by a parent or guardian, or unless the child has been adequately instructed on how to operate the controls safely.
- This appliance is not intended for use by persons (including children) with reduced physical, sensory or mental capabilities, or lack of experience and knowledge, unless they have been given supervision or instruction concerning use of the appliance by a person responsible for their safety.
- Make sure that the heating area (on any side of the bed) does not fall over the edge of the mattress, that the attachments are adequate and suited to the mattress, and that the instructions are read before using the blanket.
- This blanket is not intended for use by young children or infirm persons without adequate supervision.
- Electric blankets are intended for human use only. Not for animals and pets
- Prolonged application at the highest heat setting can result in skin burns.

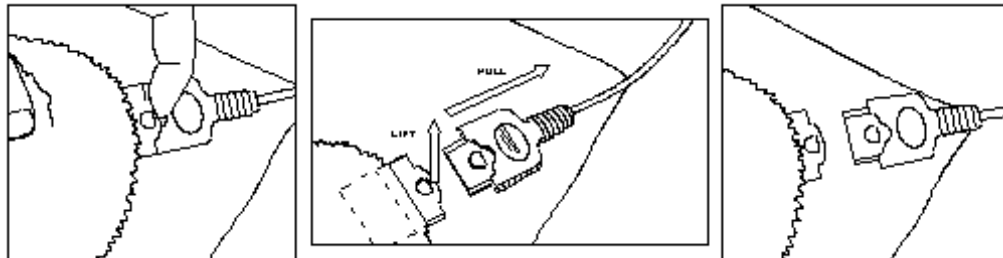
- Do not tuck the edges of the blanket in.
- Do not use the blanket rucked or folded.
- Keep the control away from an open window.
- Do not use pins as these may damage the electric wiring.
- Be sure that this blanket is used only on an alternating current supply circuit of the correct voltage.
- The flexible supply cord and controller must, as far as practicable, be kept outside of the bed covers. **Do Not Cover the Controller.**
- Do not switch the power on if the blanket is wet or in a folded state.
- Switch off the power outlet and remove the plug from the mains when the blanket is not in use.
- Bed clothes should not be folded back when the blanket is switched on. Do not leave heavy objects on the bed, e.g. folded blankets, suitcases etc. when the unit is switched on.
- Arrange the blanket so that the elements are not under the pillows and/or bolsters.
- Do not dry-clean this blanket. Cleaning liquid may have a damaging effect on the insulation covering of the heating unit. Follow washing directions located on the blankets rating label. (Foot end of the blanket) and in this Instruction Manual.
- Persons suffering from bed-wetting should not use this blanket.
- If any abnormality or defect in operation is observed, discontinue its use immediately and consult the distributor regarding its examination and/or repair.
- The blanket should be examined frequently for signs of wear, either of the blanket, controller or flexible cord. If wear is visible or if any abnormality or defect in operation in the blanket is observed, discontinue use immediately and consult a qualified and registered person for service.
- The blanket must not be used over or under a water bed.
- Depending on the controller type, you may notice a blue flash in the switch when moving from one setting to another. This is NOT dangerous and is caused by the copper parts making contact.
- It is recommended that your electric blanket is inspected by a qualified and registered person after 3 years of use.
- This blanket is intended for domestic use only. It is **not** intended for use in hospitals or the like.
- Switch off from the power outlet and remove plug when the blanket is not in use.
- Only use the controller/s supplied with this blanket.

2 Connecting the Controller

Turn Off Power and Remove the Plug from the Wall Socket

The controller socket/s are located between the Fleecy Top and the Bottom Blanket

- To fit the controller plug, simply hold the socket with one hand and push the controller plug all the way until the locking tab locates over the lug on top of the controller plug.
- To remove the controller, lift the locking tab up with your finger and pull the controller plug directly out. Do Not Pull the controller cable and Do Not try and pull the controller plug out without lifting the locking tab as you will damage the socket.



- Do Not fold, roll or kink the cable. Allow the cable to hang freely.
- Ensure the cable is not pulled so tight that it bends hard at the blanket connector end.

NOTE: Ensure that the electric blanket is sized to suit your mattress i.e. queen sized electric blanket must be used on a queen sized mattress. Do not use a single bed blanket on a double, queen or king size mattress. The blanket top must not hang over the edges of the mattress.

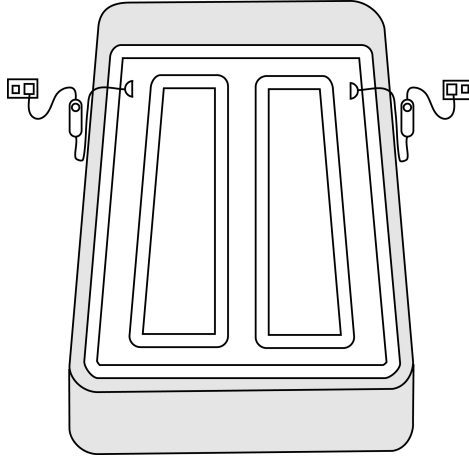
3 Securing Your Electric Blanket

Note: Your electric blanket should be placed directly onto the mattress.

If using a mattress protector, this goes over the electric blanket.

IMPORTANT:

- With the Fleecy Blanket Top clipped to the Blanket Base, place the blanket onto the mattress with the controller connection/s at the **HEAD END** of the bed.



NOTE: Electric blankets **MUST NOT be used** on top of the user (as with a normal blanket), instead they must be firmly secured to the mattress.

- Fit the side skirts around the edges of the mattress then use the elastic skirt to ensure that the blanket fits snugly around the sides and underneath the mattress.
- Spread the skirt around the mattress edge ensuring even tension and making sure the blanket is placed evenly over the mattress then ensure that the blanket is flat and crease free.

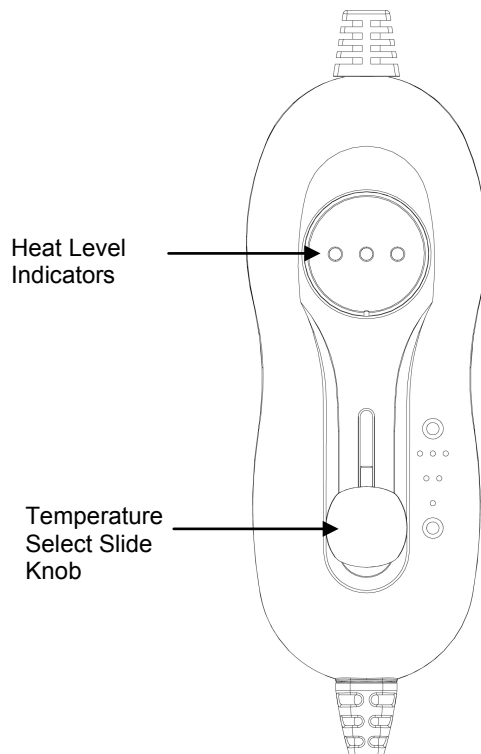
FAILURE TO FOLLOW THESE FITTING INSTRUCTIONS MAY TRIGGER THE OVERHEAT PROTECTION SYSTEM AND RENDER THE BLANKET PERMANENTLY INOPERATIVE. THIS MAY INVALIDATE THE WARRANTY.

Note: Care should also be taken if you are using a continental quilt because heat will build up more quickly than with other bed coverings. A short period may only be needed to reach maximum temperature depending on the insulation density of your quilt. This also applies if using additional bed blankets.

- The blanket top should not be tucked in at the sides.
- Make your bed in the usual manner.
- When you are satisfied that the blanket is fitted correctly, plug the controller/s into the wall power socket and turn on.

4 Using The Controller

- Use your Electric Blanket with Detachable Controller Model MC-102A Only.
- Do not use any other controller for this blanket.



0 = Off
1 = Low Heat (Suitable for all night use)
2 = Medium Heat
3 = High Heat (For preheating the bed only)
0 = Off

- To select the required heat setting, slide the “Temperature Select Slide Knob” up or down to your desired setting.
- The selected position will be indicated by lighting up the corresponding Red LED.
i.e. If Heat setting “1” is selected, 1 LED will illuminate.
If Heat setting “2” is selected, 2 LED’s will illuminate.
If Heat setting “3” is selected, 3 LED’s will illuminate.
If Heat setting “O” (Off) is selected (at either end of the slide) no LED’s will illuminate.
- This controller is fitted with a 12 hour Count Down Auto Off Timer which starts to countdown from when your heat setting has been selected, and will switch power off to the elements after approximately 12 hours. (+/- 30Minutes)

Note: Once a heat setting has been selected and the switch is powered ON, the countdown timer will not be affected by adjusting heat level.

The timer will only be reset to 12 hours by sliding the control knob to heat level “O” or after being powered OFF and then back On.

When the controller has timed out, the element will turn off and no Red LED’s will be illuminated.

Slide the control knob to the “O” position to reset.

Turn off and unplug the blanket when not in use for prolonged periods.

4.1 Pre Heat

The controller has a pre-heat facility in order for you to warm your bed prior to getting into it.

The time taken to pre-heat the bed will depend on the ambient temperature of the bedroom and whether an electric blanket has been used to air the bed on a regular basis.

At normal ambient temperature you should allow approximately 60 - 90 minutes on Heat Setting “3” (Pre Heat).

You may get into bed sooner while the bed is still warming up, but please **DO NOT** leave the blanket set on the Preheat setting (No. 3) while you are in the bed.

A cold room or bed that has not been used for some time may require a greater length of time on the pre-heat.

5 Overheat Protection

- The blanket is fitted with an overheat safeguard system.
- This offers protection against overheating or damage to the elements by disengaging the power to the elements before overheating hazards occur.
- Should there ever be a problem with the heating element in the blanket, it will automatically close down the operation and the blanket will turn off.
- **The switch must not be covered.** The switch has built in protection, so that if the switch overheats, it will automatically close down the operation.
- Should this occur, the blanket will turn off.

Please refer to the Troubleshooting Guide in the back of this manual before calling the service department or before returning the blanket.

6 Recommended Cleaning Instructions

The Blanket has been designed so that the Top Fleecy part of the Blanket assembly can be cleaned without having to remove the complete blanket from the bed, including the elements.

This makes it easier to remove from the bed and easier to Wash & Dry.

6.1 Removal and Fitment of the Top Blanket

Ensure all controllers are unplugged from the power point and from the electric blanket before removing the top Blanket and before Cleaning.

- With the Blanket base still fitted to the mattress, unclip the Pop Studs which hold the Top Blanket to the Base Blanket.

Do not pull on the Blanket fabric to unclip the studs as this may damage the fabric. Place your fingernails between the Pop Stud halves and peel apart.

- To fit the Top Blanket back onto the Base Blanket, line up the Pop Studs and press them together until they snap lock together.

NOTE: The Blanket Base can be washed separately if the need arises. Just follow the instructions in this manual or on the Care Label attached to the Blankets.

6.2 Treatment For Localised Soiling

Never Use Hot Water as the blanket may shrink and will void your warranty.

- The area affected should be sponged gently using a natural wool detergent or mild soap flakes dissolved in lukewarm water (30°C Max), followed by two consecutive spongings using clean, soap-free lukewarm water.
- Lightly compress the treated area between two towels to absorb excess water and then spread the blanket out flat to dry in a shady area. Do Not Wring the blanket.
- The connections to the blanket must be kept free of moisture.

6.3 Hand Washing (Recommended)

Never Use Hot Water as the blanket may shrink and will void your warranty.







- Place the Blanket in lukewarm (30°C Max) water (bathtub or large laundry tub is ideal) mixed with either a natural wool detergent or with mild soap flakes.
- Soak your blanket for approximately five minutes, and then gently squeeze the soapy water through the blanket.
- Rinse your blanket thoroughly with clean lukewarm water until no more suds are visible and allow water to drain off the blanket.

Do Not Wring the blanket.

6.4 Machine Washing

- Place your Blanket in the washing machine with either a natural wool detergent or with mild soap flakes.
- Set your machine to the Delicate Wool or Gentle cycle (without Spin Dry) and set the water temperature to warm (30°C Max). **Do Not Wash With HOT Water.**
- When the cycle has finished, allow water to drain off the blanket

Do Not Wring the blanket. Do Not Spin Dry

<p style="text-align: center;"><u>WARNING:</u></p> <p>DO read all instructions before use.</p> <p>DO use only as an under blanket.</p> <p>DO secure blanket to bed before use.</p> <p>DO only clean blanket as specified in the instruction book.</p> <p>DO have this electric blanket repaired and/or tested by an authorised agent.</p> <p>DO remove controller before washing blanket.</p> <p>DO ensure the Blanket top is fitted securely before use.</p> <p>DO NOT use tucked in, folded or rucked.</p> <p>DO NOT use if wet.</p> <p>DO NOT insert needles or pins into blanket.</p> <p>DO NOT use with element or wired parts tucked in.</p> <p>DO NOT use with helpless persons, infants or persons sensitive to heat.</p> <p>DO NOT wash controller.</p>	<p> Do Not Bleach or use detergents with Bleach</p> <p> Do Not Iron</p> <p> Do Not Dry Clean</p> <p> Do Not Tumble Dry</p> <p> Hang on line only when excess water has been removed. Do Not Wring</p> <p> Machine Wash or Hand Wash Only.</p>
--	---

6.5 Drying

- Spread the blanket out on a clean surface (e.g. a large table) to dry in a shady area.
- Your blanket can also be dried on a clothes line provided the blanket is not creased or folded.
- If it is the Blanket Base which has been washed, ensure pegs are not used on the element areas of the blanket if hanging on the line.

Note: The blanket must be thoroughly dried (including controller sockets if washing the Blanket Base) before being re-fitted to your bed.

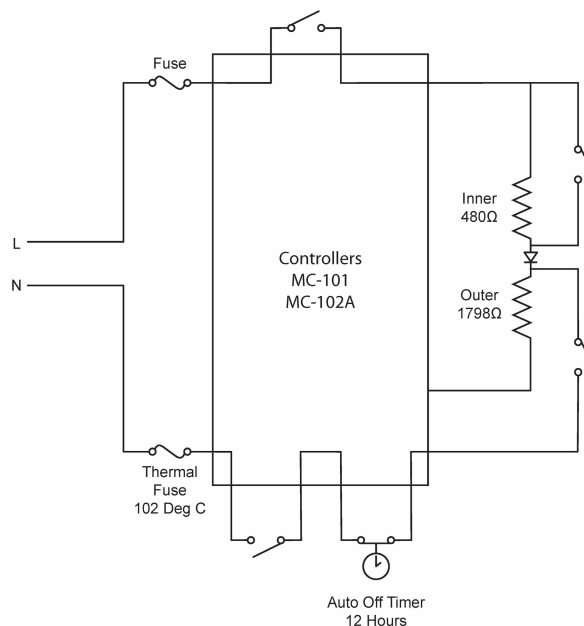
With normal use it is recommended you hand wash your blanket once a year.

7 Servicing Your Blanket and Controller/s

NOTE: There are no user serviceable parts in this blanket.

- The blanket should be examined frequently for signs of wear, either of the blanket, controller or flexible cord. If wear is visible or if any abnormality or defect in operation in the blanket is observed, discontinue use immediately and consult a qualified and registered person for service.
- It is recommended that your electric blanket is inspected by a qualified and registered person after 3 years of use.
- If the blanket is not operating correctly, please check the Troubleshooting Guide in the back of this manual before contacting our service department.

8 Electrical Schematic Diagram



9 Troubleshooting

If none of the remedies in the following table fix the problem, you can remove the controller from the other side of the bed (excluding all single size blankets) and test it to determine if it is the original controller or the blanket which is at fault.

If you deem the controller to be faulty, Please call the service department for a replacement controller.

- If the new controller fails to resolve the problem and you need to return the blanket to the retailer, we please ask that:
 - The unit is packed carefully back into its original packaging.
 - Original proof of purchase is attached.
 - A brief note attached to the blanket explaining the reason why it is being returned.

9.1 Troubleshooting Table

Problem	Cause	Remedy
No Power to Controller / No indicator lights	The Temperature Slide Knob is in the "O" position	Slide the knob to setting 1, 2 or 3. The corresponding Lights should illuminate.
	The Power Plug may not be plugged in to the power point and switched on.	Ensure the power plug is inserted into the powerpoint correctly and switch on.
	There may be no power to the power point	Ensure there is power to the power point. Test with another appliance such as a table lamp.
	The controller has overheated and blown the Over-Temp thermal fuse	If all the above are okay, the over temperature safety device has activated. A new controller must be ordered.
	The Blanket Elements have malfunctioned.	The Blanket elements have been damaged and a new Blanket must be ordered.
Lights are on but not heating	Detachable Plug from Controller to Blanket is not fitted or has come loose.	Ensure the detachable plug is fitted correctly into the socket on the blanket and the locking tab has clipped over the lug on the plug.
	The selected heat setting is too low.	Increase the Heat setting
	Pre-heat time is too short.	Allow the blanket more time to heat the bed. More time is required depending on the ambient temperature and the bed temperature.
Lights are on but cannot change any of the settings	Program may have locked up to protect itself due to a power surge.	Unplug the controller from the powerpoint, wait 2 minutes and then plug in and switch on again.
Controller Slide Knob is in the 1, 2 or 3 heat setting but no lights are on.	The Power Plug may not be plugged in to the power point and switched on.	Please follow the same steps as under "No Power to Controller / No indicator lights"
	The controller has overheated	Please follow the same steps as under " No Power to Controller / No indicator lights"
	The Auto Off timer has activated and turned off the blanket.	Blanket will automatically turn off after 12 hours. Slide the Knob to the "O" position, wait 5 seconds, then select heat setting 1, 2 or 3.
Controller is Warm to Touch	This is normal	Nothing to be done. Is no cause for alarm.

10 Warranty

Imported exclusively for Target Australia by H. E. Group Pty Ltd.

WHAT'S COVERED

H. E. Group Pty Ltd warrants the Electric Blanket for full replacement for a period of 12 Months from the date of purchase, which is only valid with the presentation of the original proof of purchase receipt. This warranty covers materials and workmanship defects only.

WHAT IS NOT COVERED

This warranty does not apply to defects arising from abuse, alteration or unreasonable use of the product. In addition, it does not cover general deterioration due to usage.

This warranty is in addition to all other rights and remedies available under the Trade Practices Act 1974 and other relevant State and Territory laws and shall not be taken as applying to exclude, restrict or modify such rights of remedies in any other manner whatsoever.

WHAT H. E. GROUP PTY WILL DO

H. E. Group Pty Ltd will replace the product, if a defect is discovered whilst under the warranty period, subject to verification of defect or malfunction, date and proof of purchase.

If you find you need to return the product under guarantee, please return it to the original place of purchase and ensure you have the original proof of purchase receipt, the original packaging and attach a brief description of why the product is being returned.

CUSTOMER CARE

All enquiries may be directed to our toll free customer service number:

1800 079 124 or via email info@hegroup.com.au