



# **ICE MAKER USER MANUAL**



**MODEL NO: ZB-01**

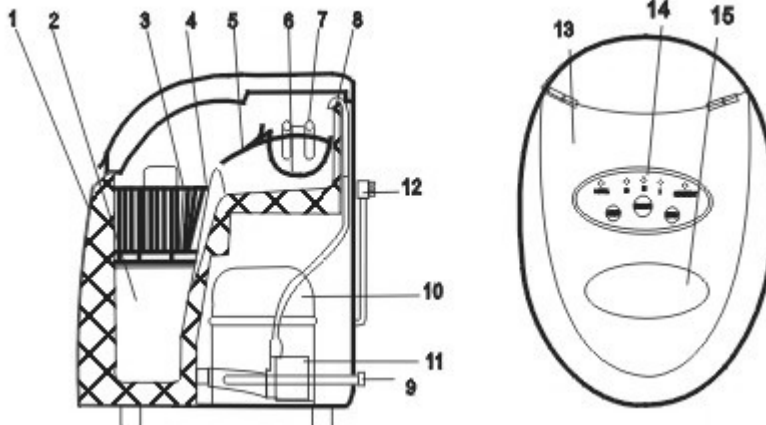
**ITEM NO: 900088**

## IMPORTANT SAFEGUARDS

When using the electrical appliances, basic safety precautions should always be followed, including the following:

- Read this instruction booklet carefully before operation.
- Before using the appliance, check that the mains power voltage corresponds with the voltage shown on the rating plate.
- Do not touch hot surfaces – Use handles or knobs.
- The appliance should be connected to a correctly earthed power socket.
- Always remove the plug from the power socket when the appliance is not in use and before carrying out any maintenance operations.
- Never leave the appliance unattended when it is switched on.
- The appliance is not intended for use by young children or infirm persons without supervision.
- Young children should be supervised to ensure that they do not play with the appliance.
- This appliance is for domestic use only. Commercial use voids warranty. Use as described in this instruction booklet.
- Do not switch the appliance on if it appears to be faulty in any way.
- To protect against electric shock, do not immerse cords, plugs or the appliance in water or any other liquid.
- Do not let the power cord hang over the edge of a table or counter or let it come into contact with any hot surfaces.
- Do not use this product for anything other than its intended use.
- To disconnect – remove the plug from the outlet. Do not pull plug out by the cord.
- For repairs or accessories contact the distributor on the contact details outlined in the guarantee.
- During transportation, the incline angle of the cabinet should not be over 45°c
- Do not turn the Ice Maker upside down as it can cause problems to the compressor and seal
- The Ice Maker should be placed horizontally on a properly leveled surface.
- To ensure proper ventilation for your Ice Maker allow 150mm of space at the top, the back and on each side.
- Before using the Ice Maker for the first time, please wait 2 hours after positioning it.
- Clean the inner liner, ice collecting tray, water box, ice shovel and evaporator frequently.
- **Do not install the Ice Maker near an oven, radiator, or other heat source.**

## **Parts Description:**



1. Inner Liner
2. Water Reservoir
3. Ice collecting Tray
4. Ice Bin Full Sensor
5. Ice Shovel
6. Water Tray
7. Evaporator
8. Water Inlet Tube

9. Water Drain Plug
10. Compressor
11. Water Pump
12. Power Cord
13. Lid
14. Control Panel
15. Window

## **Unit Specifications:**

Daily Ice Output :

12-15kg / 24 hours

Ice Sizes Three (3):

(S) Small, (M) Medium, (L) Large

Ice Storage Capacity :

600 g

Compressor High efficiency CFC free

R134a

Water Reservoir Capacity:

2.0 Litres

Unit Dimensions:

W340 x D415 x H345 mm

Unit Weight Net

15Kg

## **FEATURES:**

The unique design and portability of the DOME ICE MAKER will suit your recreational area, veranda, Patio, BBQ Area, Caravan, office or wherever you need a ready supply of ice.

DOME Ice Maker is micro computerized machine that makes ice cubes fast and continuously. Each ice making cycle take 10-12 minutes and produce 12 ice cubes.

### **With every ice making cycle the Ice Maker does the following steps:**

1. Filling Water.
2. Making Ice.
3. Releasing access water.
4. Dropping Ice cubes.
5. Pushing the Ice cubes to the storage tray.

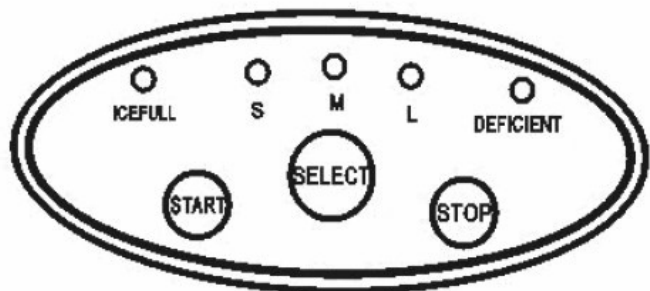
DOME Ice Maker is reliable, convenient and easy to operate.

It has Indicating lights and beeps to alert you when the ice is ready or when the water reservoir is empty and water should be added.

You can choose three sizes of ice cube to make: Small, Medium or Large.

## **CONTROL PANEL OPERATION:**

**Start:** Press to turn unit On. This button is also used to start the ice making cycle.



**Stop:** Press to turn unit Off.

**Select:** Ice Size Selection of (S) Small, (M) Medium or (L) Large. (The selected mode shall stay as selected unless changed or there is a power failure).

The default setting is Medium.

**\*\*PLEASE SELECT THE (S) SMALL WHEN AMBIENT TEMPERATURE IS BELOW 15°C. \*\***

**Deficient:** This is the add water indicator - This light will be lit along with a long beeping sound to indicate water is required in the unit.

Add water and press the "STOP" then the "START" button to restart the Ice maker, or, when the water has reached the fill line the Ice maker will restart automatically.

**Icefull:** This is the ice full indicator. This light will come on with 2 beeps "DI, DI" when the ice has reached the maximum capacity of the storage tray.

Press the "STOP" then the "START" button to restart the Ice Maker after some of the ice has been scooped away.

The Ice Maker will not make any more ice until the excess ice has been removed.

**IMPORTANT - You must press "STOP" then the "START" button to restart the Ice Maker after you add water or take out some of the ice.**

## **INSTALLATION**

### **Space Requirements**

During transportation, the incline angle of the cabinet should not be over 45°

Do not turn the Ice Maker upside down as it can cause problems to the compressor and seal

The Ice Maker should be placed horizontally on a properly leveled surface.

To ensure proper ventilation for your Ice Maker allow 150mm of space at the top, the back and on each side.

Before using the Ice Maker for the first time, please wait 2 hours after positioning it.

Clean the inner liner, ice collecting tray, water box, ice shovel and evaporator frequently.

**IMPORTANT:** Do not install the Ice Maker near an oven, radiator, or other heat source.

### **Operating Instructions**

Starting your Ice Maker

#### **STEP 1.**

Open the lid and fill the water reservoir with water. Make sure the water level in the water reservoir is not over the Ice collecting tray.

#### **STEP 2.**

Select desired ice cube size by pressing "SELECT"

#### **STEP 3.**

Press START button to turn unit on. The Ice Maker begins to work.

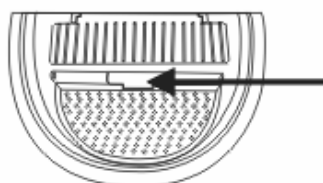
## **ICE MAKER OPERATION**

### **A. The ice making process is as follows:**

- Water is pumped into the water tray from the water reservoir. It takes about 25 seconds.
- Ice making cycle begins. The evaporator in the water tray starts to form ice on the evaporator fingers.
- It takes approximately 10 to 12 minutes (depending on ice selection) for the ice making cycle to complete.
- Once completed, the water tray will tilt forward; the remaining water will flow back to the water reservoir and the ice cubes will drop from the fingers. You will hear a sound as the ice cubes are released.
- In about 30 seconds, the water tray will tilt backward and the ice shovel will start to push the ice into the ice collecting section. Once the water tray returns to its leveled position, the second ice making cycle begins.

### **B. Check the water level in the water reservoir periodically:**

- The Ice Maker will detect any shortage of water and stop operating. The DEFICIENT indicator will illuminate.
- Press the STOP button and fill the water reservoir with water. Wait 3 minutes after the indicator light goes out and then press the START button. The Ice Maker will begin to make ice or when the water has reached the fill line, the Ice Maker will restart automatically.



## THE SENSOR OF TEMPERATURE

When the ice cubes are collected and reaches the bin sensor, or when ambient temperature is below 2°C the Ice Maker will stop operating and the “Ice full” indicator will illuminate.

When the ice cubes are below the sensor and the temperature of the sensor rises to approximately 4°C, the Ice Maker will re-start the cycle.

For best performance, water temperature should be between 7°C and 35°C and ambient between 15°C and 38°C.

There are three sizes of ice cubes available, the larger the ice cube selected, the longer the time it will take to complete the cycle.

### **WARNING:**

**When the ambient temperature is lower than 15°C, Small or Medium ice cubes sizes are recommended to be selected. If not, the ice cubes would clump together and will not be released/dropped from the Fingers.**

**When the ambient temperature is higher than 30°C, Large ice cube size is recommended to be selected.**

### **Care and Cleaning / Maintenance.**

- To ensure the cleanliness of the ice cubes, water in the water reservoir should be replaced every 24 hours.
- If the compressor stops for any reason such as water shortage, too much ice, power off, etc... Do not start the system right away, wait 3 minutes, and then re-start the Ice Maker. Remove the drain plug to drain remaining water from the water reservoir when the Ice Maker will not be used for long period of time. Screw the drain plug back in place after the water has been drained.
- Always change with fresh water before starting ice production at initial installation or after long shut-off periods.
- Please clean your Ice Maker regularly. When cleaning, unplug the unit and remove the ice cubes. Use a diluted solution of water and vinegar to clean the inside and the outside surface of the Ice Maker. Do not spray Ice Maker with chemicals or diluted agents such as acids, gasoline or oil. Rinse thoroughly before starting.

### **Troubleshooting:**

1. Please note, if a power failure occurs due to disconnection of the power cord, or the off power button has been pushed off during an ice making cycle, small ice chips may be formed and may lodge in the automatic shovel causing it to jam. If this occurs, the ice chips may be removed by disconnecting the power cord and gently pushing the shovel to the rear of the cabinet and removing the ice chips, then restarting.
2. Please restart the Ice Maker by pressing the button STOP and then Start. If the Ice shovel does not push the Ice into the Ice collector after the formed Ice dropped from the evaporator finger and at the same time the "M" light is flashing, then check to see if the water tray is horizontal or balanced , if not please adjust by pressing the Ice shovel lightly with finger. Then re-start the Ice Maker.

Problem	Possible Cause	Suggested Solutions
The compressor works abnormally with a buzzing noise	The voltage is lower than recommended	Stop the Ice Maker and do not restart until the voltage is normal.
Water shortage indicator light is on	There is no water	Press the stop button, fill with water, wait 3 minutes and press the start button to restart. Or when the water has reached the fill line the Ice Maker will restart automatically.
Indicator lights on display are not on	Blown fuse/ No power	Replace fuse / Turn power on

The ice made is too large and with pieces sticking together.	The water temperature in the water storage box or ambient is too low	Stop the machine and reset the ice making cycle. Restart the machine after turning it off.
Conditions for ice making cycle are right but no ice is made.	Refrigerant leaks or sealed system is blocked	Call for service advice.
The lights of "Ice Full" and "Deficient" come on in the same time.	Water tray is blocked by ice cube	Clear the ice cube under the ice shovel. Pull out the plug and insert it again then press "STOP" button, press "START" button, two minutes later the machine will restart automatically

**Notes / Tips**

- If the supply cord is damaged; it must be replaced by the manufacturer, its service agent or a qualified Electrician in order to avoid a hazard.
- Fill only with drinkable water.
- It is normal for the compressor and condenser surface to reach temperatures between 70°C and 90°C during operation and surrounding areas may be very hot.
- Due to fast freezing, ice cubes may appear "Cloudy". This is trapped air in the water and it will not affect the quality or the taste of the ice.