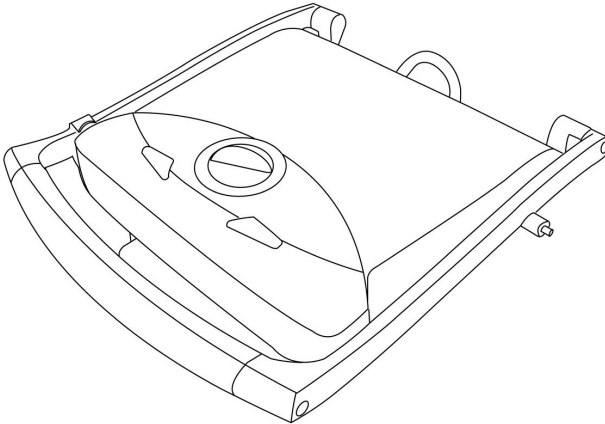




# **Sandwich Press 4**

## **User Manual**



**Model No.: LW-020**  
**Item No.: 900178**  
**220-240Va.c. 50/60Hz 2000W**  
**Rev 1**

**READ AND SAVE THESE INSTRUCTIONS**

## **BEFORE FIRST USE**

Read and follow all the instructions in this “**Use and Care**” even if you feel you are familiar with the product, and find a place to keep it handy for future reference.

Your attention is drawn particularly to the sections concerning “**IMPORTANT SAFEGUARDS**”, “**FOR YOUR SAFETY**”, and the “**SERVICE**” statements.

For your convenience, record the complete model number (located on the product identification plate) and the date you purchased the product, together with your purchase receipt and attach to the warranty and service information. Retain in the event that warranty service is required.

## **IMPORTANT SAFEGUARDS**

**When using any electrically powered product, basic safety precautions should always be followed, including the following:**

**PLEASE READ ALL INSTRUCTIONS CAREFULLY BEFORE USING THE PRODUCT.**

**WARNING** - to reduce the risk of fire, electrical shock or injury to persons or property:

- Always operate the product from a power source of the same voltage, frequency and rating as indicated on the product identification plate.
- This appliance is not intended for use by persons (including children) with reduced physical, sensory or mental capabilities, or lack of experience and knowledge, unless they have been given supervision or instruction concerning use of the appliance by a person responsible for their safety.
- Children should be supervised to ensure that they do not play with the appliance.
- Do not operate any product with a damaged cord or plug, or after the product malfunctions, or is dropped or appears damaged in any way. Return the complete product to the place of purchase for inspection, repair or replacement.
- Avoid using on metal surfaces e.g. sink.
- Do not place appliance on or near a hot gas flame, electric element or on a heated oven. Do not place on top of any other appliance
- To reduce the risk of electric shock, do not immerse or expose the product or flexible cord to rain, moisture or any liquid other than those necessary for correct operation of the product.

- For indoor use only
- This product should not be used in the immediate vicinity of water, such as bathtub, washbowls, swimming pool etc. where the likelihood of immersion or splashing could occur.
- Ensure the power cord is kept away from the cooking plates when in use.
- Do not leave the appliance unattended when switched on.
- Switch off and unplug from outlet when not in use, before assembling or disassembling parts and before cleaning. Remove by grasping the plug - do not pull on the cord.
- Do not use the appliance for other than its intended use.
- Do not let the cord hang over the edge of a table or bench or touch any hot surfaces.
- Do not operate or place any part of this product on or near any hot surface (such as gas or electric burner or hot plate or in a heated oven).
- Avoid touching hot surfaces, use handles and knobs.
- Do not touch the outside of the top of the grill when in use.
- This grill may generate steam from between the grill plates while cooking and when the top plate is opened.
- Take care when removing food from the grill
- When using the grill, ensure that there is sufficient air space above and all sides for air circulation.
- The use of attachments or accessories not recommended or sold by the product distributor may cause personal or property hazards or injuries.
- This product is intended for normal domestic/household use only.
- The instructions shall state that appliances are not intended to be operated by means of an external timer or separate remote-control system.
- Do not reach for an appliance that has fallen into water. Switch 'OFF' at the power point and unplug immediately

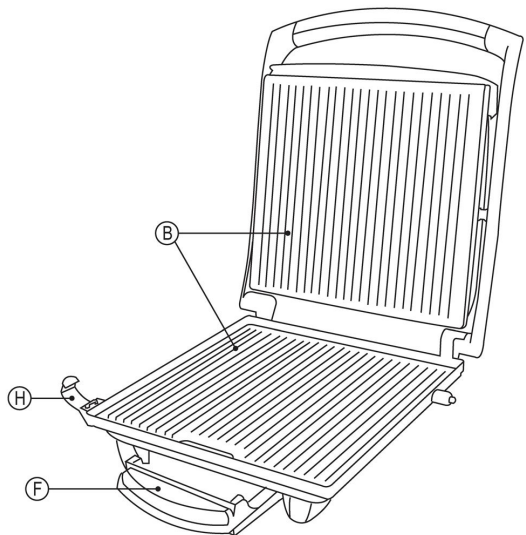
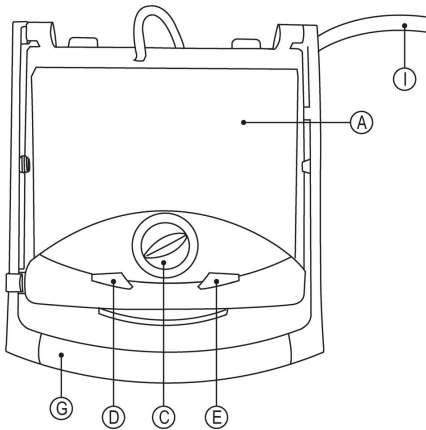
## **READ AND SAVE THESE INSTRUCTIONS**

## AN INTRODUCTION TO YOUR SANDWICH PRESS

With very little imagination, you can make a fantastic variety of snacks and meals.

All type of toasted and melted snacks can be made, quickly and easily.

There is no need to restrict your self to the plain old type or toasted sandwich.



### Description

- (A) Body
- (B) Grill plate with anti-stick covering
- (C) Temperature control
- (D) Mains connection light
- (E) Temperature control light
- (F) Drip tray
- (G) Opening and carrying handle
- (H) Locking Clip
- (I) Mains cable

## OPERATING INSTRUCTION

**Note:** When using the sandwich press for the first time, the unit will emit a fine smoke. This is no cause for alarm and is caused by the initial heating of the elements.

- Remove all packaging from the appliance before use.
- Check that the cooking plates (B) are free from dust. Wipe the surface of the plates with a damp cloth and dry with a cloth or kitchen towel, etc.
- Place the appliance on a flat level surface and slide the Locking Clip (H) on the left-hand side of the unit towards you. (It will unlock the cooking plates).
- Cooking plates must be in the closed position for pre-heating.
- Before using your sandwich press for the first time, the non-stick plates must be seasoned during the preheating time to protect the non-stick surface.

**Note:** For the first use ONLY, season the plates by applying a thin coat of cooking oil, butter or margarine to the cooking surfaces and rub in with a paper towel. Exercise care, as the cooking plates will be hot.

- Unroll the cable completely before plugging it in.
- The mains connection light (red) will light up when the appliance is connected. The temperature control light (green) will also light up when the appliance is heating up.
- Close the lid.
- Position the temperature selector in the desired position.
- Place the drip tray in the lower front part of the appliance. Never cook without this tray.
- Preheat the plates until the green light goes off.
- During the preheating time, Prepare your sandwich.
- When the green temperature control light goes off, open the lid and carefully place the sandwich on the bottom cooking plate. Always place sandwiches towards the rear of the cooking plate..
- Close the top cooking plate and it will automatically adjust to the thickness of the sandwich because of the floating hinge. Do not force the lid when closing. Lower gently and allow the food to settle. This will ensure an even toasting.

- Toasting should take approximately 5 - 8 minutes. However, exact toasting times will depend on types and thickness of breads and different fillings used.
- When the food is ready, open the lid and carefully remove with the help of a wooden spatula. Always use heat-resistant plastic utensils or wooden utensils. Do not use domestic utensils which may damage the anti-stick surface of the plates. i.e. metal utensils.
- Close the lid to preserve the heat until ready to toast the next sandwiches.
- Once you have finished using the appliance, select the minimum position (MIN) using the thermostat control.
- Remove the plug from the wall socket and allow to cool down before cleaning and storing.
- Close the lid.
- Transport: This appliance has a carrying handle at the front to facilitate comfortable transport. To transport the appliance ensure that the Locking Clip is in place.

## **HINTS FOR BEST RESULTS**

### **Bread:**

- The sandwich press can be used to toast most types of Bread: White, Wholemeal, Multigrain, Rye, Raisin Loaf, etc. Focaccia, Turkish Bread, Baguettes as well as Bread Rolls are also ideal to toast in the appliance.
- Sweet breads, such as Raisin Bread and Brioche, that contain a high sugar content will tend to brown quicker.
- For soft or liquid sandwich fillings, use medium sliced bread, white or brown. If small amount of filling, use toasting bread.
- The sandwich press is ideal for toasting plain breads or Turkish breads with no fillings or toppings. Try toasting Turkish breads with jams for a great alternative to standard bread at breakfast.

### **Fillings:**

**CAUTION!** Always take care when biting into sandwiches containing fillings such as cheese, tomato and jam, as they retain heat and you can burn your mouth if eaten too quickly.

## **Fat Free Snacks:**

It is **NOT** necessary to use any butter or margarine on the outside of the toasted snack because the sandwich press has a Non-Stick Plate Design.

However, to help with even browning of bread or when using stale bread, spreading with a small amount of butter is recommended.

## **Care Of Your Product**

- After use and before cleaning, remove plug and wait for the appliance to cool.
- Wipe the inside and edges of the heating plate with absorbent paper towel or a soft cloth.
- Should any filling be difficult to remove, pour a little cooking oil onto the heating plate and re-heat for 1-2 minutes. Turn the power off and wipe off after 5 minutes when the oil has cooled enough to prevent injury and the filling has softened.
- Wipe the outside with a slightly moistened cloth ensuring that no moisture, oil or grease enter inside the appliance.
- Do not clean the inside or outside with any abrasive cleaner, scouring pad or steel wool as this will damage and scratch the Non-Stick Plates.
- Do not wash the appliance in the Dishwasher.
- Do Not Immerse the appliance in water.
- Do not use spray-on cleaners, as this will affect the performance of the Non-Stick surface on the cooking plates.

**DO NOT IMMERSE IN WATER OR ANY LIQUID**

## Service

- **CAUTION.** To reduce the risk of electric shock, do not remove the cover (or back). No user serviceable parts inside.
- **Do not** operate the product with a damaged cord or plug, or after the product malfunctions, or appears damaged in any way. Return the complete product to the place of purchase for inspection, repair or replacement.
- In some products, the replacement by the user of the flexible cord is not intended. Special tools may be required to disassemble the product or replace the cord. Return the complete product to the place of purchase for inspection, repair or replacement.

## GUARANTEE

### WHAT IS COVERED

**H.E. Group Pty Ltd** guarantees this **Dome sandwich press** for a full replacement for a period of 12 months from the date of purchase, which is only valid with the presentation of the original proof of purchase receipt. This guarantee covers materials and workmanship defects only.

### WHAT IS NOT COVERED

This guarantee does not apply to defects arising from abuse, alteration or unreasonable use of the product. It also does not cover general deterioration due to usage.

This guarantee does not apply to the **accessories** due to general deterioration.

## CUSTOMER CARE

All queries may be directed to our friendly customer service team on free call **1800 079 124** or via email [info@hegroup.com.au](mailto:info@hegroup.com.au)