



# **Stainless Steel Body Cordless Kettle 1.7 Litre**

## **User Manual**



**Model No.: DG2000-1722S**  
**Item No.: 900751**  
**220-240Va.c. 50Hz 1850 - 2200W**  
**Rev 3**

### **READ AND SAVE THESE INSTRUCTIONS**

**Note:** The specifications and/or components of this appliance are subject to change without prior notice.

<b>1</b>	<b>Your Attention.....</b>	<b>3</b>
<b>2</b>	<b>Important Safeguards .....</b>	<b>3</b>
<b>3</b>	<b>Description.....</b>	<b>7</b>
<b>4</b>	<b>Before Using For The First Time.....</b>	<b>7</b>
<b>5</b>	<b>Operating Instructions .....</b>	<b>8</b>
5.1	Base Setup.....	8
5.2	Filling Kettle.....	8
5.3	Placing Kettle onto the Base .....	8
5.4	Boiling the Water.....	9
<b>6</b>	<b>Safety cut-out .....</b>	<b>9</b>
<b>7</b>	<b>Decalcifying .....</b>	<b>9</b>
<b>8</b>	<b>Cleaning .....</b>	<b>10</b>
<b>9</b>	<b>Wiring Diagram.....</b>	<b>10</b>
<b>10</b>	<b>Guarantee .....</b>	<b>11</b>

# 1 Your Attention

Read and follow all the instructions in this “**Use and Care**” even if you feel you are familiar with the appliance, and find a place to keep it handy for future reference.

Your attention is drawn particularly to the sections concerning “**IMPORTANT SAFEGUARDS**”.

For your convenience, record the complete model number (located on the appliance identification plate) and the date you purchased the appliance, together with your purchase receipt and attach to the warranty and service information. Retain in the event that warranty service is required.

# 2 Important Safeguards

**When using any electrically powered appliance, basic safety precautions should always be followed, including the following:**

**PLEASE READ ALL INSTRUCTIONS CAREFULLY BEFORE USING THE APPLIANCE.**

**WARNING** - to reduce the risk of fire, electrical shock or injury to persons or property:

- Always operate the appliance from a power source of the same voltage, frequency and rating as indicated on the appliance identification plate.
- This appliance is not intended for use by persons (including children) with reduced physical, sensory or mental capabilities, or lack of experience and knowledge, unless they have been given supervision or instruction concerning use of the appliance by a person responsible for their safety.
- Children should be supervised to ensure that they do not play with the appliance.
- Do not operate any appliance with a damaged cord or plug, or after the appliance malfunctions, or is dropped or appears damaged in any way. Return the complete appliance to the place of purchase for inspection, repair or replacement.
- Avoid using on metal surfaces e.g. sink.
- Do not place on top of any other appliance.

**CAUTION** - Do not operate on an inclined surface.  
Do not operate unless the element is fully immersed.  
Do not move while switched on.

Failure to observe these cautions may result in damage to the kettle.

- To reduce the risk of electric shock, do not immerse or expose the appliance or flexible cord to rain, moisture or any liquid other than those necessary for correct operation of the appliance.
- For indoor use only.
- Never carry this appliance by the cord
- Switch off and unplug from outlet when not in use, before assembling or disassembling parts and before cleaning. Remove by grasping the plug - do not pull on the cord.
- Do not touch hot surfaces. Allow to cool before cleaning
- Do not use the appliance for other than its intended use.
- Never insert utensils or other objects into the kettle.
- This product has been designed to heat clean water only.
- **DO NOT OVERFILL**, as boiling water may be ejected. The maximum level is marked on the water window.
- **DO NOT UNDER FILL**. Always put enough water in the kettle to cover the minimum level marked on the water window. Do not operate unless the element is fully immersed.
- Never fill the kettle while it is on the base.
- Do not let the cord hang over the edge of a table or bench or touch any hot surfaces.
- Do not operate or place any part of this appliance on or near any hot surface (such as gas or electric burners or hot plates or in a heated oven).
- Avoid touching hot surfaces, use handles and knobs.

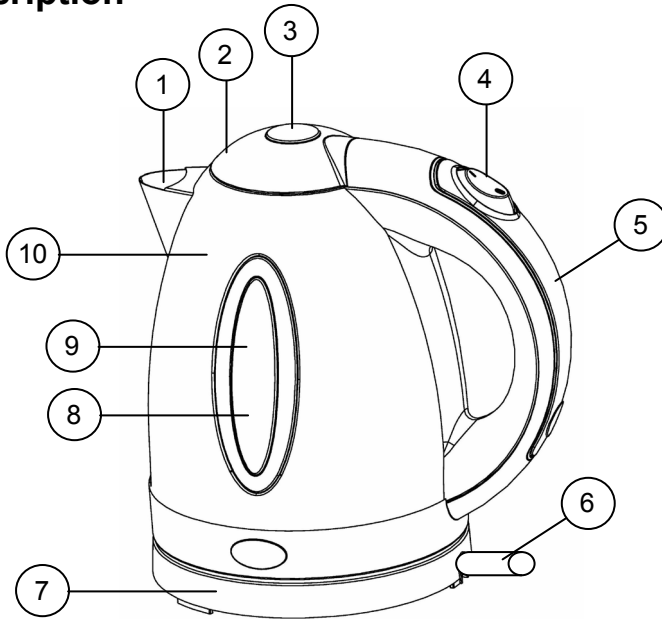
**CAUTION:** This appliance generates heat and escaping steam through the spout during use. Proper precaution must be taken to prevent the risk of burns, fires or other damage to persons or property.

- Avoid contact with the steam from the spout when water is boiling or just after the water has boiled.
- Caution should be taken when opening the kettle lid immediately after boiling as hot water droplets and/or steam may come into contact with the skin and burn. Allow kettle to cool before opening the lid.
- The kettle becomes very hot during use. Carry the kettle by the handle only.
- Do not open the lid while boiling water in the kettle.
- The kettle must only be used with the base provided.
- When using this appliance, provide adequate space above and on all sides for air circulation.
- Do not allow this appliance to touch curtains, wall coverings, clothing, dish towels or other flammable materials during use.
- Do not leave this appliance unattended during use.
- Ensure that the lid is closed properly before the kettle is switched on, as the kettle will not switch off automatically and hot water may be ejected.
- Extreme caution is necessary when moving any appliance containing hot water. Wait until the appliance has switched off automatically or switch off manually.
- Take care when pouring boiling water.
- The use of attachments or accessories not recommended or sold by the appliance distributor may cause personal or property hazards or injuries.
- This appliance is not intended to be operated by means of an external timer or separate remote-control system.

- Do not reach for an appliance that has fallen into water. Switch 'OFF' at the power point and unplug immediately.
- Under no circumstances must the Kettle or Base be placed in water or other liquids.
- Clean the Kettle and Base with a clean soft cloth after disconnecting from the power supply.
- Check the appliance and the cable regularly for damage. If there is damage of any kind, the Appliance should not be used.
- In case of any repairs, replacement of cord or plug, or adjustment, please consult a qualified technician, or take The Appliance to an authorised service facility.
- When storing the Appliance wrap the cord neatly to avoid unnecessary strain on the cord.
- The Appliance must only be used as intended in accordance with these operating instructions.
- If the supply cord is damaged, it must be replaced by the manufacturer or its service agent or a similarly qualified person in order to avoid a hazard.
- Do Not Open the kettle or base housing. There are no user serviceable parts inside.
- This appliance is intended for normal domestic/household use only.
- This appliance is intended to be used in household and similar applications such as:
  - staff kitchen areas in shops, offices and other working environments
  - farm houses
  - by clients in hotels, motels and other residential type environments
  - bed and breakfast type environments

## **READ AND SAVE THESE INSTRUCTIONS**

### 3 Description



1.	Water Spout	6.	Power Cord and Plug (Plug not Shown)
2.	Lid	7.	Base Stand
3.	Lid Lock Button	8.	Water Window with Level Markers
4.	On / Off Switch	9.	Indicator Lamp inside Window
5.	Handle	10.	Kettle Body

### 4 Before Using For The First Time

- Prior to initial use, clean it by going through several boiling cycles, using clean water with each cycle and filling the kettle to its Maximum Level as indicated on the Water Window.
- The water will reach boiling point after approximately 5 minutes (depending on initial water temperature and ambient temperature). The kettle switch will switch off automatically when boiling has been reached.
- Refer to the following instructions for operation of the kettle.

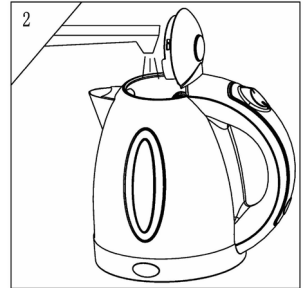
## 5 Operating Instructions

### 5.1 Base Setup

- Place the cordless base (7) on a firm and level surface. Do not place on any metal surface such as the sink or draining board.

### 5.2 Filling Kettle

- Press the Lid Lock Button (3) down and swing open the lid.
- Fill the kettle with the desired amount of clean cold water. Refer Fig 2.



#### NOTE:

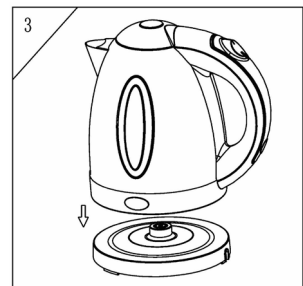
**Do Not Overfill** above the Maximum Water Level Mark.

**Do Not Under Fill.** Ensure the water level does not fall below the Minimum Water Level Mark.

- The amount of water can be measured by the level mark shown the outside of the kettle Water Window (8). Always pay attention to the minimum and maximum levels.
- Ensure that the lid (2) is properly and firmly closed before use.

### 5.3 Placing Kettle onto the Base

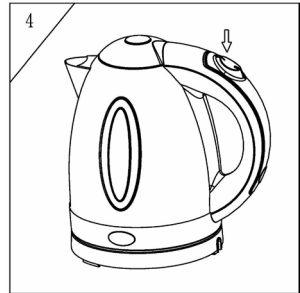
- Position the kettle centrally over the base (7) and lower down onto the electrical contact post. Refer Fig 3
- Plug into a standard domestic power point and switch on.



## 5.4 Boiling the Water

- Press the On/Off switch (4) to the “I” position to start the heating process. The indicator lamp (9) inside the Water Window will light up (red).
- As soon as the water reaches boiling point, the On/Off switch (4) will return automatically to the ‘0’ position. The indicator lamp (9) inside the Water Window will change from Red to Blue.

The kettle can also be switched off manually by pressing the On/Off switch to the ‘0’ position.



- The kettle can now be lifted off the base by use of the handle and the hot water may now be poured safely through the spout into another container.

## 6 Safety cut-out

- This kettle is equipped with a safety cut-out to protect the appliance from damage in case of inappropriate use.
- Should the appliance be accidentally operated without water, or if all the water has evaporated, the safety cut-out will automatically switch off the heating element
- In such a case, remove the plug from the wall socket immediately and refill the kettle only after an adequate cooling down period. About one minute.

## 7 Decalcifying

- Should the appliance switch off before reaching boiling point. this is a sign that decalcifying is necessary.
- Any regular de-scaling agent may be used, providing the relevant instructions are observed.
- Do not fill the kettle to the upper mark to avoid spillage if the de-scaling agent causes the water to foam.
- To clean the kettle thoroughly of any decalcification residues, let it go through several boiling cycles, using clean water with each cycle. Rinse the kettle with clean water afterwards

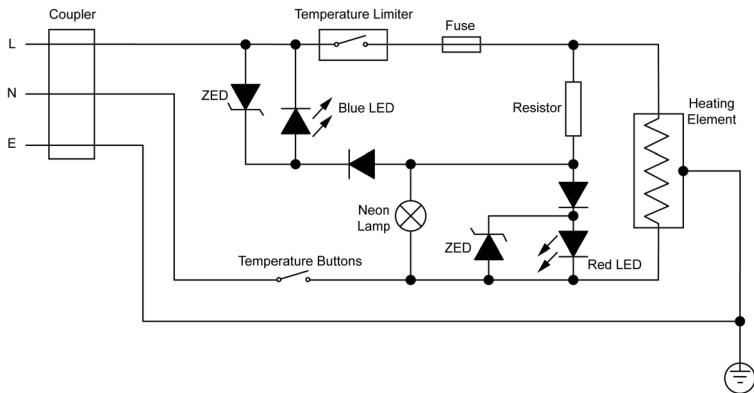
## 8 Cleaning

- Before cleaning the appliance, ensure it is disconnected from the power supply and has cooled down completely
- Do not use abrasives or harsh cleaning solutions.
- Do not immerse the base or the kettle in any liquid ,To clean the exterior, a slightly damp, lint-free cloth may be used
- Wipe the Base with a damp cloth. Do not immerse in liquid and do not use abrasive cleansers or metal scouring pads.
- It is advisable to remove lime deposits form the kettle at regular intervals
- Rinse out the kettle when finished.

**Note:** Do Not place any parts in a Dishwasher.

**Do Not** put detergents or cleaning agents (excluding decalcifying agents) in the kettle.

## 9 Wiring Diagram



# WARRANTY AGAINST DEFECT

---

## WHAT'S COVERED?

- 1.1 H.E. Group Pty Ltd ("us" "we" or "our") warrants this good for a full replacement or refund for a period of twelve months from the date of purchase.
- 1.2 This warranty covers materials and workmanship defects only.

## WHAT IS NOT COVERED?

- 2.1 This good is for household use only and if used in any way other than as detailed in the instruction manual will void this warranty.
- 2.2 This warranty does not apply to defects arising from abuse, alteration, unauthorised or unreasonable use of the good, nor does it cover general deterioration due to usage.
- 2.3 This warranty does not apply to accessories due to general deterioration or acts beyond human control.

## WHAT WE WILL DO

- 3.1 We will replace the good or provide a refund to the value of the purchase price, if a defect is discovered in the good during the warranty period of twelve months subject to verification of defect or malfunction and the date and proof of purchase and purchase price.

## WARRANTY COSTS

- 4.1 Once we have received the goods and you have complied with the warranty, our costs associated with the warranty claim will be borne by us.
- 4.2 No responsibility will be taken for goods lost, mislaid or damaged whilst in transit.

## GENERAL

- 5.1 The benefits of this warranty are additional to any other rights and remedies you may have under law.

5.2 Our goods come with guarantees that cannot be excluded under Australian Consumer Law. You are entitled to a replacement or refund for a major failure and compensation for any other reasonably foreseeable loss or damage. You are also entitled to have the goods repaired or replaced if the goods fail to be of acceptable quality and the failure does not amount to a major failure.

5.3 Notwithstanding 5.1, except as provided for in this warranty, all express and implied warranties and conditions under statute or general law as to the merchantability, description, quality, suitability or fitness of the goods for any purpose, or as to design, assembly, installation, materials or workmanship or otherwise are (where permitted under law) expressly excluded.

5.4 To the extent permitted by law, our total liability for loss or damage of every kind related to the good in any way whatsoever is limited to the amount paid to the retailer by you for the good or the value of the good.

5.5 These terms and conditions supersede and exclude all prior and other discussions, representations (contractual or otherwise) and arrangements relating to the supply of the goods or any part of the goods. This includes representations not made by us relating to the performance of the goods or any part of the goods or the results that ought to be expected from using the good.

## CUSTOMER CARE

6.1 **To claim under this warranty, you must first contact our friendly customer service team on free call 1800 079 124 or via email [info@hegroup.com.au](mailto:info@hegroup.com.au) and explain the basis of your claim. Our customer service team will then provide you with directions on how to make your claim under this warranty.**

6.2 This warranty is valid with the presentation of the original proof of purchase receipt or tax invoice originating from the store of purchase for the product showing the retailer's name, date of purchase and amount paid, by you, for the good.