



**40 Bottle Thermoelectric Wine
Cooler
USER MANUAL**



MODEL NO: 900066

IMPORTANT SAFEGUARDS

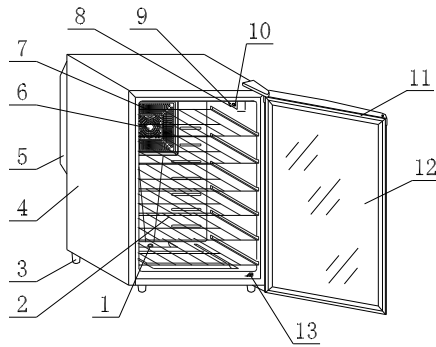
When using an electrical appliance, basic precautions should always be followed, including the following:

READ ALL INSTRUCTIONS BEFORE USING THIS WINE COOLER

- Do not use if supply cord is damaged. If damaged, it must be replaced by the manufacturer or a similarly qualified person in order to avoid hazard.
- This wine cooler is not intended for use by young children or infirm persons, without supervision. Young children must be supervised to ensure they do not play with the appliance.
- Ensure the cooler is unplugged before cleaning or if the cooler is not in use.
- To clean the cooler use only mild detergents or glass cleaning products. Never use harsh detergents or solvents.
- It is not recommended to use this wine cooler with an extension cord or power board. Please ensure that the appliance is plugged directly into the electrical outlet.
- When positioning the wine cooler, ensure that there is at least a 5cm clearance at the sides and a 10cm clearance at the back of the cooler as this is the main outlet for heat. This will allow for adequate ventilation.
- This cooler is designed to store wine bottles, however, if placing food inside, ensure that there is sufficient airflow between items.
- Do not place hot food or drink into the wine cooler before it cools down to room temperature.
- Close the cooler door immediately after putting in any items so the inside temperature will not rise dramatically.
- Keep appliance away from any heat source or direct sunlight.
- To fix stably, the appliance must be placed on a flat and solid surface. It should not be laid on any soft material.
- Do not place any other appliance on top of the wine cooler.
- The Wine Cooler is an electrical appliance. To avoid injury or death from electrical shock do not operate the Wine Cooler with wet hands, while standing on a wet surface or while standing in water.
- Do not use outdoors or in wet conditions.
- When positioned or if moving the appliance ensure that it is not set horizontally or declined less than 45° or turned upside down.
- Never pull the cord to disconnect it from the outlet. Grasp the plug and pull it from the outlet.
- Never lift or carry the Wine Cooler by the cord.
- Keep the cord away from heated surfaces.
- This Wine Cooler is for household use only. Any other use will void the warranty.
- Do not plug into the power socket before set up is completed.
- An empty cooler can be a dangerous attraction to children. If disposing of the cooler remove gaskets, latches, lids or the entire door from your unused appliance, or take other action to ensure the cooler is harmless.

- **WARNING:** Do not use mechanical devices or other means to accelerate the defrosting process, other than those recommended by the manufacturer.
- **WARNING:** Do not use electrical appliances inside the storage compartments of this appliance, unless they are of the type recommended by the manufacturer.

1. Structure



- | | | |
|-----------------|-------------------|-------------------------------|
| 1. Water output | 5. Cooling system | 9. Temperature Test point |
| 2. shelf | 6. Fan Mask | 10. Temperature adjust Button |
| 3. foot | 7. Fan | 11. Magnetic seal |
| 4. case | 8. Lamp | 12. Door |
| | | 13. switch |

Setting The Temperature Control

The temperature inside the wine cooler is dependant on the ambient temperature (room temp.) outside the wine cooler. The cooler temperature can range between 9~15° C.

- In red wine setting(High on the dial), the cooler will keep the temperature range between 14~16° C (will stop cooling at 14° C and re-start at 16° C)
- In white wine setting(Low on the dial), the cooler will keep the temperature range between 9~10.5° C (stops at 9° C and re-starts at approx. 10.5° C).

This is based on an ambient room temperature of 25° C. The inside temperature can be altered by the temperature adjustor on the upper side of the inside cabinet.

Please note that this unit is a wine cooler and should not be used as a refrigerator.

2. Operation Guide

1. Insert the power plug into the power socket. Make sure the power socket is 240V~AC / 50Hz.
2. Allow the empty wine cooler to operate for approx. one hour. This will allow the wine cooler to reach the desired temperature.
3. Fill the wine cooler with your choice of wine bottles. Allow 1-2 hours of operation before the bottles reach the desired temperature.

3. Troubleshooting

| Symptoms | Possible cause | Solutions |
|---|--|--|
| The wine cooler does not work. | There is a power failure. A house fuse has blown. | Ensure the cooler is plugged in and the power socket is turned on. Replace the broken fuse in your meter box. |
| Wine cooler is not reaching the desired temperature | The cooler is placed too close to a heat source No sufficient ventilation The door is opened too frequently or for a long period of time | Keep the cooler away from sunshine or other heat sources Place the wine cooler in good ventilation and keep any items away from the fans. Close the door tightly and do not open the door too frequently or for a long period of time. |
| Frost forming in the wine cooler | Too much humidity. The ambient temperature is too low | Unplug to defrost, plug again after the frost thaws. |

4. Technical Data

| | |
|----------------------------|----------------|
| Model No. | C62081 |
| Volume | 65L |
| Rate voltage AC | 220~240V |
| Input power | 80W |
| Rated frequency | 50Hz |
| Power consumption KW·h/24h | 1.2 (15°C) |
| Tem control range | 9-16°C |
| Net weight | 24Kg |
| Gross weight | 26.5Kg |
| Unit size (WxHxD) | 460x730x545 mm |
| Carton Dimension (WxHxD) | 515x770x560 mm |