

AVITA

6 Bottle Wine Cooler

User Manual

Model No.: JC-16C

Item No.: 081001

Rev 1

1	Safety Instructions	3
2	Components.....	5
3	Instructions For Use.....	5
3.1	Setting the Temperature Control	5
3.2	Operation Guide	6
4	Technical Data	6
5	Troubleshooting	7
6	Care and Cleaning	7
7	Guarantee.....	8

1 Safety Instructions

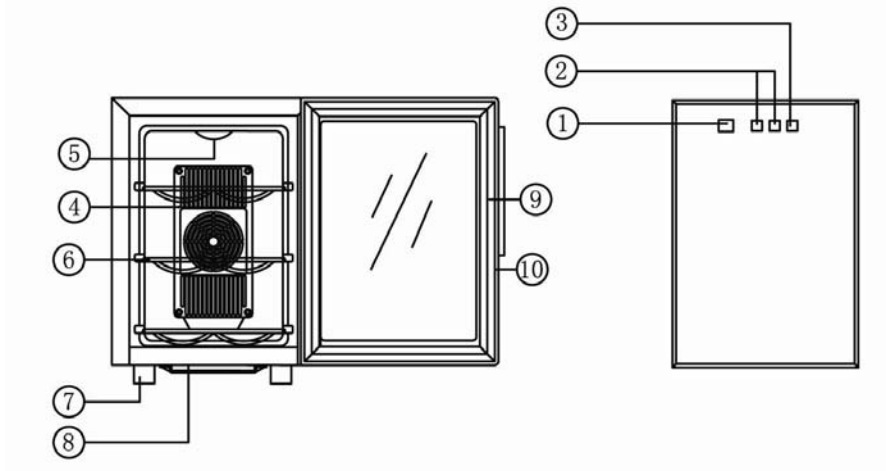
When using electrical appliances, basic safety precautions should always be followed, including the following:

- Carefully read this instruction manual before using appliance.
- Keep appliance out of reach of young children.
- This appliance is not intended for use by persons (including children) with reduced physical, sensory or mental capabilities, or lack of experience and knowledge, unless they have been given supervision or instruction concerning use of the appliance by a person responsible for their safety.
- Children should be supervised to ensure that they do not play with the appliance.
- Ensure children and babies do not play with plastic bags or any packaging materials.
- **VERY IMPORTANT:**
Ensure that appliance does not get wet (water splashes etc.).
Do not use appliance with wet hands.
Do not immerse appliance in water or other liquids or use near sinks, baths or showers.
- Always operate the appliance from a power source of the same voltage, frequency and rating as indicated on the product identification plate.
- Position the power supply lead properly so that they will not be walked on or pinched by items placed on or against them.
- Use appliance only for its intended use. Appliance is intended for household use only and not for commercial or industrial use.
- Do not use appliance if it has been dropped or any part of appliance (including cord or plug) has been damaged. Take appliance to your nearest authorised service centre or qualified dealer for inspection or repair.
- Use only accessories recommended or supplied by an authorised service centre or qualified dealer. The use of accessories not intended for use with this appliance may cause injuries to the user or damage to the appliance.
- Do not install the unit on other appliances, on uneven surfaces or where it could be subject to: heat sources (e.g. radiators or stoves), direct sunlight, excessive dust or mechanical vibrations.
- Appliance should not be used outdoors, placed near a hot gas or electrical burner or placed in a heated oven.
- Do not install near any heat sources such as radiators, heat registers, stoves, or other apparatus that produce heat.
- Do not operate appliance underneath or near flammable or combustible materials (e.g. curtains). Keep at least 300mm clearance around sides, back, front and top.
- Unplug this apparatus during lightning storms or when unused for long periods of time.

- When positioning the wine cooler, ensure that there is at least a 5cm clearance at the sides and a 10cm clearance at the back of the cooler as this is the main outlet for heat. This will allow for adequate ventilation.
- Turn off and unplug before cleaning or storing.
- Any type of servicing, apart from ordinary cleaning, must be carried out by an authorised service centre or qualified dealer. There are no user serviceable parts in this appliance.
- If this appliance is used by a third party, please supply the instruction manual with it.
- Do not misuse the cord. Never carry the appliance by the cord or pull to disconnect it from the outlet. Instead, grasp the plug and pull to disconnect.
- To fix stably, the appliance must be placed on a flat and solid surface. It should not be laid on any soft material.
- Turn off and unplug the unit before moving.
- When positioned or if moving the appliance ensure that it is not set horizontally or declined less than 45° or turned upside down.
- Do not use the unit in very hot or humid places, such as kitchens, bathrooms or under direct sunlight.
- This cooler is designed to store wine bottles, however, if placing food inside, ensure that there is sufficient airflow between items.
- Do not place hot food or drink into the wine cooler before it cools down to room temperature.
- Close the cooler door immediately after putting in any items so the inside temperature will not rise dramatically.
- It is not recommended to use this wine cooler with an extension cord or power board.
- Do not place any other appliance on top of the wine cooler.
- Do not plug into the power socket before set up is completed.
- Please ensure that the appliance is plugged directly into the electrical outlet.
- An empty cooler can be a dangerous attraction to children. If disposing of the cooler remove gaskets, latches, lids or the entire door from your unused appliance, or take other action to ensure the cooler is harmless.
- No liability can be accepted for any damage caused by non-compliance with these instructions or any other improper use or mishandling of appliance.

Read and Save These Instructions

2 Components



- 1 Temperature Display
- 2 Temperature Adjust Knob
- 3 Light Switch
- 4 Cool Fan Cover
- 5 Interior Light

- 6 Shelf
- 7 Feet
- 8 Water Box
- 9 Magnetic Door Seal
- 10 Door Frame

3 Instructions For Use

3.1 Setting the Temperature Control

The temperature inside the wine cooler is dependent on the ambient temperature (room temp) outside the wine cooler.

The cooler temperature can range between 8 - 18°C.

It is recommended to store white wines at approx 9 - 11°C and red wines at 14 - 16°C.

To set the desired temperature simply press the up/down arrow until the display reaches your pre determined temperature.

The selected temperature will flash briefly and then the display will return to show the current temperature inside the unit.

This will progressively lower/rise until it reaches your selected temperature.

3.2 Operation Guide

Insert the power plug into the power socket.

Allow the empty wine cooler to operate for approximately one hour before placing anything inside.

This will allow the wine cooler to reach the desired temperature.

Fill the wine cooler with your choice of wine bottles.

Allow approximately 24 hours of operation before the bottles reach the desired temperature.

4 Technical Data

Model No.	JC-16C
Volume	16L
Volume	6 Standard Bottles
Rated Power	220 - 240Va.c.
Rated Frequency	50Hz
Climate Type	T
Input Power	70W
Power Consumption kWh/24h	0.5 (15°C)
Max Temperature Difference	>12°C
Temperature Control Range	8 - 18°C
Net Weight	9.2Kg
Gross Weight	10.5 Kg
Product Size H x W x D mm	252 x 375 x 508
Packing Size H x W x D mm	297 x 405 x 560

AVITA
Wine Cooler

Model No. JC-16C Item No: 900783
Batch - 081001
230 - 240Va.c. 50Hz
Rated Power 70W at 25°C
Rated Current 0.55A at 25°C
Volume 16L Weight 9.2Kg
Power Consumption 0.5kWh / 24h at 15°C
Insulation blowing gas: C-Pentane
DO NOT IMMERSE IN LIQUID

H. E. GROUP LTD
Customer Care: 1800 079 124
RETURN TO SUPPLIER FOR CORD REPLACEMENT OR SERVICE
Made in China

The diagram illustrates the electrical connections for the wine cooler. It shows a power input plug connected to a power source, which feeds into a temperature control board. This board is connected to a temperature NIC (Non-Inductive Inductor) and an LED temperature control board, which in turn controls a light. The temperature control board also manages the thermoelectric module, which is connected to heat sink fans and cool sink fans.

5 Troubleshooting

Symptoms	Possible cause	Solutions
The wine cooler does not work.	There is a power failure. A house fuse has blown.	Ensure the cooler is plugged in and the power socket is turned on. Replace the broken fuse in your meter box.
Wine cooler is not reaching the desired temperature	The cooler is placed too close to a heat source Not sufficient ventilation The door is opened too frequently or for a long period of time	Keep the cooler away from sunshine or other heat sources. Place the wine cooler in good ventilation and keep any items away from the fans. Close the door tightly and do not open the door too frequently or for a long period of time.
Frost forming in the wine cooler	Too much humidity. The ambient temperature is too low	Unplug to defrost, plug again after the frost thaws.

6 Care and Cleaning

- Turn off and unplug the unit prior to cleaning.
- Use a soft damp cloth or rag and mild detergent for cleaning and wipe dry.
- Never spray with liquids or submerge the unit in water or any other liquid.
- Do not use flammable liquids, chemicals, abrasive creams, steel wool or scouring pads for cleaning.

Read and Save These Instructions