

AVITA

120L Bar Fridge User Manual



Model No.: DF1-15
Item No.: 900249
220-240V~ 50/60Hz
Energy Consumption: 0.74kWh/24h
Rev 1

When using electrical appliances, in order to reduce the risk of fire, electric shock and/or injury, these basic safety precautions should always be followed:

Important Safeguards

FOR YOUR SAFETY

Read all instructions carefully, even if you feel that you are familiar with the appliance.

- Water contained in food or getting into the air inside the bar fridge may form a layer of frost inside. It will weaken the performance of the bar fridge when the frost is thick. When it is more than 2mm thick it is recommended to defrost.
- Defrosting in the freezer chamber is operated manually. Before defrosting, take the food, ice tray and the shelf out into the cold storing chamber temporarily, then set the knob of the thermostat regulator to position "0" (where the compressor will stop working). Leave the door open until the ice and frost melts thoroughly and wipe off the water deposited at the bottom of the freezer tray with a soft cloth. To speed up defrosting, you can put a bowl of warm water (about 50°C) into the freezer chamber.
- Be sure to set the knob of the temperature regulator to the original position when finished.
- It is inadvisable to heat the freezer chamber directly with hot water (or by any other method of defrosting) to prevent deformation of the inner case.
- It is also inadvisable to scrape off ice and frost or separate food from the containers which have been congealed together with a sharp tool or wooden object, as this may damage the inner casing or the surface of the evaporator.
- Do not use electrical appliances inside the food storage compartments of the appliance, unless they are of the type recommended by the manufacturer.

MAINTENANCE

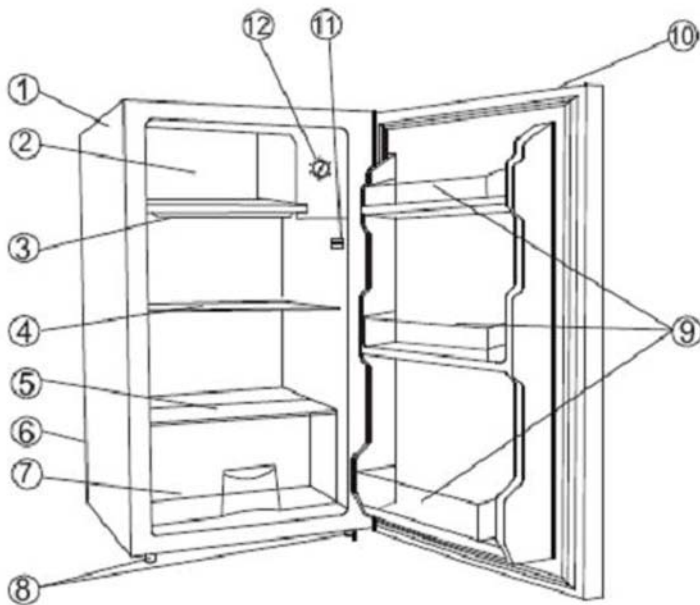
- The bar fridge should be cleaned and maintained once a month.
- When performing maintenance, make sure that the power plug is first disconnected from the power outlet.
- Wipe the inner and outer surface of the bar fridge and its accessories with a wet cloth. If they are too dirty, scrub the surface with a neutral detergent and rinse clean with water and dry with a clean cloth. After this, a small quantity of glass wax is recommended to polish the bar fridge surface.
- For cleaning do not use hot water, solvents, petrol, alcohol, kerosene, washing powder, cleanser, alkaline detergent, acid, chemical cloths, etc. These products may damage the lacquer coat and plastics. It is not recommended to directly spray the bar fridge with water as it may cause rust or weaken insulation.
- Be careful to upkeep the rubber seals of the doors. They should always be cleaned.
- If the plastic parts in the bar fridge remain contaminated for a long time by oil (animal or vegetable), they will be easily aged and possibly crack. The drip tray gets dirty very easily if not cleaned regularly and bad odours will be produced. It is recommended to clean this pan regularly.

COMPULSORY WARNING

- If the supply cord is damaged it must be replaced by the manufacturer or its service agent or a similarly qualified person to avoid a hazard.
- This appliance is not intended for use by persons (including children) with reduced physical, sensory or mental capabilities, or lack of experience and knowledge, unless they have been given supervision or instruction concerning use of the appliance by a person responsible for their safety.
- Young children should be supervised to ensure they do not play with the appliance.
- This product has not been designed for any uses other than those specified in this booklet.

Save These Instructions

Parts and Features



- ① Cabinet
- ② Freezer Compartment Door
- ③ Drip Tray
- ④ Shelves
- ⑤ Glass cover
- ⑥ Compressor(back)
- ⑦ Crisper box
- ⑧ Leveling Legs
- ⑨ Bottle Racks
- ⑩ Recessed Handle
- ⑪ Door switch
- ⑫ Temperature Control Knob

Methods of Safe Installation

- Place the bar fridge on a strong and level floor. Unstable installation can produce noise and vibration.
- Place your bar fridge where there is no heat source nearby. High atmosphere temperatures will lower cooling efficiency.
- Place the bar fridge in an area where the humidity level is low. Splashing water in the bar fridge or installing the unit in a humid area may cause a short circuit and rust.
- Avoid places that are exposed to coal, gas or smoke as discolouring may occur on the bar fridge.
- For good ventilation keep enough space between the side walls and your bar fridge. Its back needs to be at least 100mm away from the wall, its sides at least 100mm separately and the height from over its top is not less than 200mm. A clear space should be left to open the door to 1600mm.
- Placing the bar fridge on carpet may cause a temperature rise, and result in discolouration of the carpet. In such a case, place a hard wooden board or rubber mat between the carpet and the unit.

Installation Steps

- Select a safe place to install your bar fridge.
- Level the bar fridge by using the adjustable legs.
- Install the parts in their correct position.
- Check if the door is completely closed.
- Wait for about an hour before plugging the power cord in the outlet.

How to Operate

Thermostat Control

The thermostat controls the temperature automatically. The thermostat control inside the bar fridge controls the degree of cooling.

The control has five settings from 0-5 (five being the coldest setting).



Starting Your New Bar Fridge

1. Clean the bar fridge thoroughly. Wipe the outside with a dry cloth, and the inside with a damp cloth.
2. Set the thermostat control.
3. Connect the power supply cord.

Controlling the Temperature

Many factors may influence the internal temperature of the bar fridge and freezer compartments.

- The combination of food and containers stored
- The temperature and humidity of the surrounding environment.
- The opening frequency of the doors, and the amount of warm food placed in the bar fridge.
- For these reasons, you may want to adjust the control to suit the season and your needs.
- The cord should neither be lengthened nor folded into a coil during operation. It is not recommended that the cord is kept close to the compressor at the back of the bar fridge as the surface temperature is quite high when operating. Making contact with the two would deactivate the insulation or cause leakage of electricity.
- Put food in the bar fridge after running the bar fridge for 2-3 hours.

Temperature Control

Adjusting the Thermostat

The internal temperature of your fridge is controlled by a thermostat. The thermostat is located on the inside right hand side wall of the refrigerator.

The refrigerator thermostat has setting from 0 to 5. 0 being the "off" position and 5 being the coldest setting. Normally you should adjust the thermostat to the middle position such as 2 or 3 position.

It may not operate at the correct temperature if it is in a particularly hot or particularly cold room or if you often open the door.

What you need to know before moving or relocating the Bar Fridge

- Unplug the power cord.
- Take the food out of the bar fridge.
- Fasten the interior components with adhesive tape.
- Have two people carry the bar fridge to move safely.
- Fasten the doors with adhesive tape to prevent door from opening while moving.
- When fixed or moved, the bar fridge can not be set horizontally or declined more than 45° or placed upside down.

Changing the Interior Light

Before carrying out the bulb replacement always switch off and disconnect the electricity supply.

- Remove the light's translucent cover found at the rear of the thermostat.
- Unscrew the old bulb and dispose of it safely.
- Replace with a new bulb (Maximum 10 Watt), making sure that it is secure in the bulb holder.
- Replace the cover and re-connect your fridge to the electrical supply

Cleaning your Bar Fridge

Before cleaning the bar fridge, unplug the power cord.

- To clean, use a soft cloth. Wash with warm soapy water, rinse and dry.
- The bar fridge may smell during the initial operation, but the odour will fade away when the bar fridge is cooled sufficiently.
- Use a soft cloth for cleaning the interior and exterior of the bar fridge.
- Do not sprinkle water directly onto the bar fridge.
- Place parts back in their original positions after cleaning.

Defrosting the Freezer Chamber

- Before defrosting remove the food and ice tray from the freezer chamber and into the fridge temporarily.
- Set the knob of the temperature regulator to position "0".
- Leave the door open until ice and frost dissolve and are deposited at the bottom of the freezer chamber.
- Wipe the water with a soft cloth.
- Defrosting can be sped up by placing a bowl of warm water (about 50°C) into the freezer chamber.
- Be sure to set the knob of the temperature regulator back to the original position after defrosting.

Reversing the Door Swing

This Bar Fridge is delivered with the door hinges on the right side.

If you wish to change the opening direction of the door, follow these instructions:

1. Remove the upper hinge cover (6) first.
2. Remove the two screws (1) that hold the upper hinge (5) (Right Side) to the frame. Take away the upper hinge (5).
3. Lift the door and place it on a padded surface to prevent scratching.
4. Remove the two screws (8) that hold the lower hinge (2) (Right Side) to the frame.
5. Remove the left front leg (4) and transfer it to the right side.
6. Remove the hole cover plate (7) to the right side.
7. Before replacing the lower hinge (2), remove the bolt-pin (9) and reverse the direction of the lower hinge (2). Install the lower hinge (2) onto the left side of the lower frame with the two screws (8).
8. Insert the bolt-pin (9) into the lower hinge (2).
9. Set the door in its place making sure it sits on the door seat at the lower hinge (2).
10. While holding the door in the closed position, secure the upper hinge (5) on the top left side with the two screws (1). Do Not tighten the two screws (1) until the top of the door is levelled with the counter top.
11. Install the upper hinge cover (6) on the upper hinge (5).

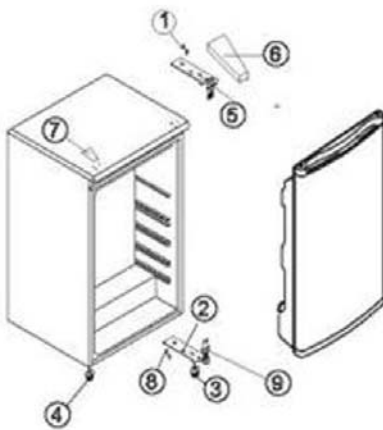


FIGURE 1

Door opening from left side

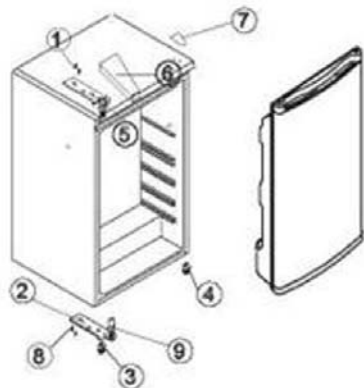


FIGURE 2

Door opening from right side

Troubleshooting

If the bar fridge does not work:

- Check if there is a power failure.
- Check if the power plug is plugged into the power outlet.
- Check that the fuse has not blown.

If the bar fridge is cooling excessively:

- The thermostat control dial may be set too high.
- If you place foodstuff containing a lot of moisture directly under the cool air outlets, they will freeze easily. This does not indicate a malfunction.

If the bar fridge is not cooling sufficiently:

- The food may be packed too tightly together which will block the flow of cool air.
- You may have put something hot or a lot of food stuff into the bar fridge .
- The door may not have been closed properly.
- The door seal may be damaged.
- The bar fridge may not be ventilated.
- There may be insufficient clearance between the bar fridge and the surfaces immediately above and beside the fridge.
- The thermostat control dial may not be set properly.

If defrosted water overflows inside the bar fridge and onto the floor:

- Check that the drain pipe and the drain hose are not clogged.
- Check that the drain pan is housed properly.

If the bar fridge's cabinet front heats up:

- In order to safeguard against condensation, there is an anti-condensation pipe which heats up the cabinet front when the bar fridge is on. A warm cabinet front does not indicate a malfunction.

If condensation forms on the outside of the bar fridge:

- Condensation may form on the outside when the humidity is high, such as during a wet season.
- This is the same result as the condensation formed when chilled water is poured into a glass. It does not, therefore, indicate a malfunction.
- Wipe dry with a dry cloth.

If you hear a sound like water flowing:

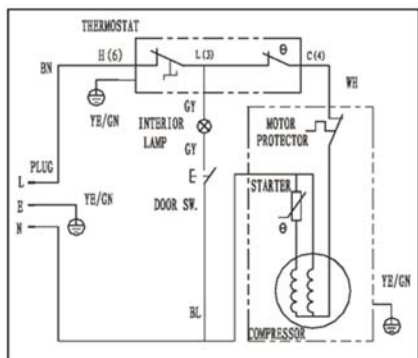
- A sound like water flowing is the refrigerant flowing. It does not indicate a malfunction.

If the cabinet's side panel heats up:

- The side panel of the cabinet will heat up when the door is opened or closed frequently, when starting the unit and when the unit operates in summer with high ambient outside temperature.
- In such cases, do not touch the panel. It results from the dissipation of the heat from inside the cabinet, and it does not indicate a malfunction with the bar fridge.

Technical Specifications

Net Weight:	30kg
Overall Dimensions:	W500 x D558 x H840mm
Supply:	220-240V~ 50/60Hz
Energy Consumption:	0.74kWh/24h
Rated current:	0.6A
Rated power of lamp:	10W
Refrigerant:	R600a(30g)
Insulation blowing gas:	Cyclopentane



Specification are subject to change without prior notice .

GUARANTEE

WHAT IS COVERED

H. E. Group Ltd guarantees **Avita Bar Fridge** for a full replacement for a period of 12 months from the date of purchase, which is only valid with the presentation of the original proof of purchase receipt. This guarantee covers materials and workmanship defects only.

WHAT IS NOT COVERED

This guarantee does not apply to defects arising from abuse, alteration or unreasonable use of the product. In addition, it does not cover general deterioration due to usage.

WHAT H. E. GROUP LTD WILL DO

H. E. Group Ltd will replace the product, if a defect is discovered whilst under the guaranteed period, subject to verification of defect or malfunction, date and proof of purchase.

CUSTOMER CARE

All enquiries may be directed to our toll free customer service number: **1800 079 124** or via email info@hegroup.com.au