



HOT DOG MAKER USER MANUAL



ITEM NO: 900361

Hot dog maker

Importance safeguards

When using electrical appliances, in order to reduce the risk of fire, electric shock, and/or injury to persons, basic safety precautions should always be followed, including:

For Your Safety

Read all instructions carefully, even if you are familiar with the appliance.

- Do not touch hot surfaces.
- To protect against the risk of electric shock, DO NOT IMMERSE any part of this appliance in water or any other liquid.
- This appliance is not intended for use by persons (including children) with reduced physical, sensory or mental capabilities, or lack of experience and knowledge, unless they have been given supervision or instruction concerning use of the appliance by a person responsible for their safety.
- Children should be supervised to ensure that they do not play with the appliance.
- Switch off and remove the plug from the power outlet before cleaning or when not in use. To unplug, grasp plug and pull from power outlet. Never pull cord. Never carry the appliance by the cord.
- Do not operate any appliance with a damaged cord or plug after the appliance malfunctions, or is dropped or damaged in any manner.
- Do not let the cord hang over the edge of a table or counter, or touch hot surfaces. Do not place any part of this appliance on or near a hot gas or electric burner or in a heated oven.
- Allow to cool completely before cleaning and storing away.
- Operate on a level surface. Operating the Hot Dog Maker on sinks, drain boards or uneven surfaces should be avoided.
- Do not use outdoors.
- When using an extension cord with your appliance make sure the extension cord is correctly wired and rated for its use.

- Do not attempt to repair or disassemble the appliance. There are no user serviceable parts.
- If the supply cord is damaged, it must be replaced by the manufacturer, its service agent or a similarly qualified person in order to avoid a hazard.
- This product has not been designed for any uses other than those specified in this booklet.

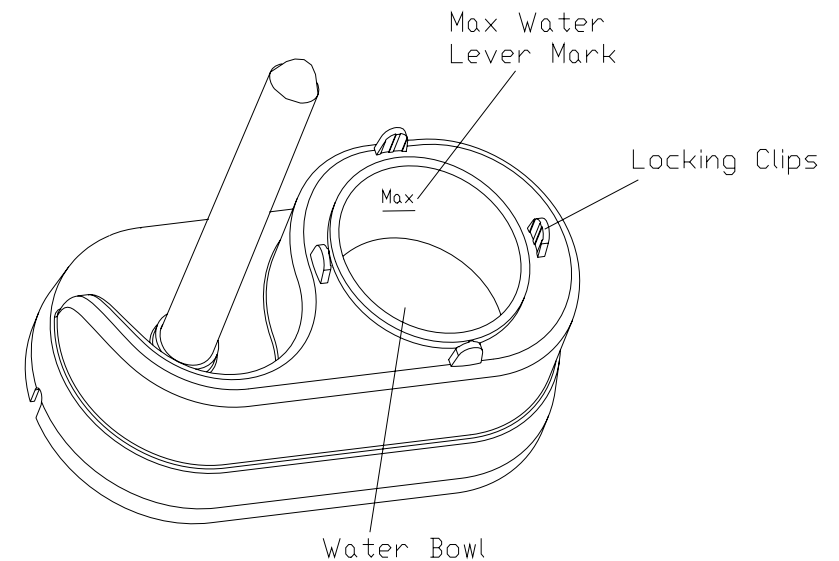
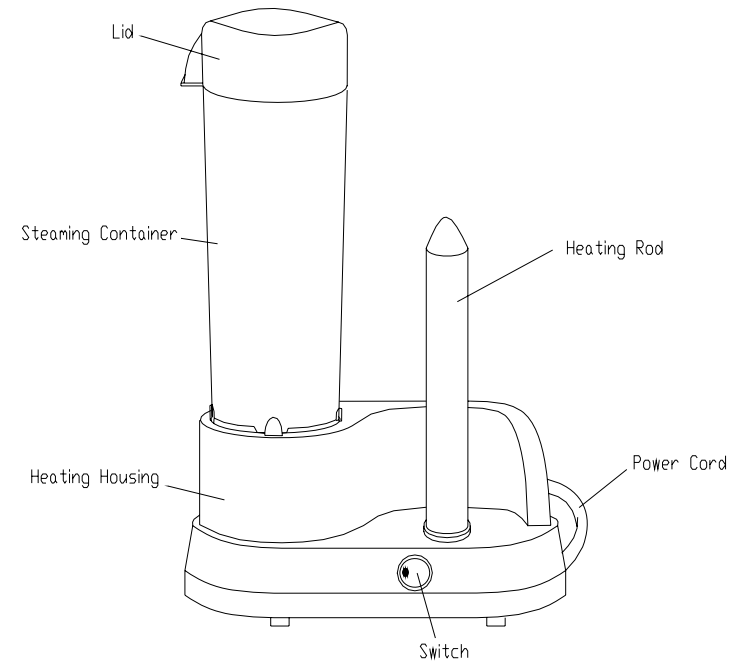
Save These Instructions

Your Hot Dog Maker

Congratulations on the purchase of your new Hot Dog Maker. It can help you create an endless variety of taste-tempting snacks.

Before first using your new appliance, please take a few minutes to read this use and care booklet and then find a place to keep it handy for future reference. Your attention is drawn particularly to the previous section dealing with 'Your Safety'.

This appliance has been designed to operate from a standard domestic power outlet. It is not intended for industrial or commercial use.



Before First Use

- Wash the lid and steaming Container in hot soapy water, rinse and dry thoroughly.
- Wipe the Body and Heating Rod with a damp cloth or sponge.
- **DO NOT IMMERSE THE MACHINE IN WATER OR OTHER LIQUID.**

Operation

Cooking the Hotdogs

- Place the unit on a dry, level surface.
- Pour appropriate amount of cold water into the Water Bowl. Water should only be filled to the maximum water level mark.
- Place the steaming container on to the unit, over the Water Bowl.
- Place the hotdogs into the steaming container.
- Plug the unit into a 240 Volt Electrical outlet and turn on.
- Switch on the Indicator Switch at the front of the unit and the indicator Light will glow, indicating the hotdogs are cooking.
- It is recommended that no more than 6 standard hot dog are cooked at one time.
- Cook the hotdogs for approx 6-8 minutes. This time will vary depending on whether the hotdogs were stored in a fridge, frozen, the number being cooked at once and size.
- Carefully remove the Lid.
- Using utensils, remove the hotdogs and serve, with any type of sauce or condiments.

Caution: After cooking cycle is complete, the Hot Dog Machine and the hotdogs will be hot. Use caution when handling.

- Remember to switch off the appliance after using.
- The number and size of the hotdogs varies the required cooking time: More hotdogs cooked at one time increases cooking time and larger hotdogs also increase cooking time.

Warming the Bun

- Place the unit on a dry, level surface..
- Pour cold water into the Water Bowl..
- Pierce the bun onto Stainless Steel Rod.
- Plug the unit into a 240 Volt electrical outlet.
- Switch on the Indicator Switch at the front of the unit and the Light will glow, indicating that the bun is being heated.
- Take the bun off with care.

Caution: After cooking the Rod will be hot. Use caution when handling. Bread may burn therefore the Hot Dog Machine must not be used near or below curtains and other Flammable material.

- Serve your hot dog with any type of sauce or condiments.

Note: To achieve high toasting temperature and to protect the appliance from overheating, the user must pour some water into the Water Bowl to heat the Rod.